



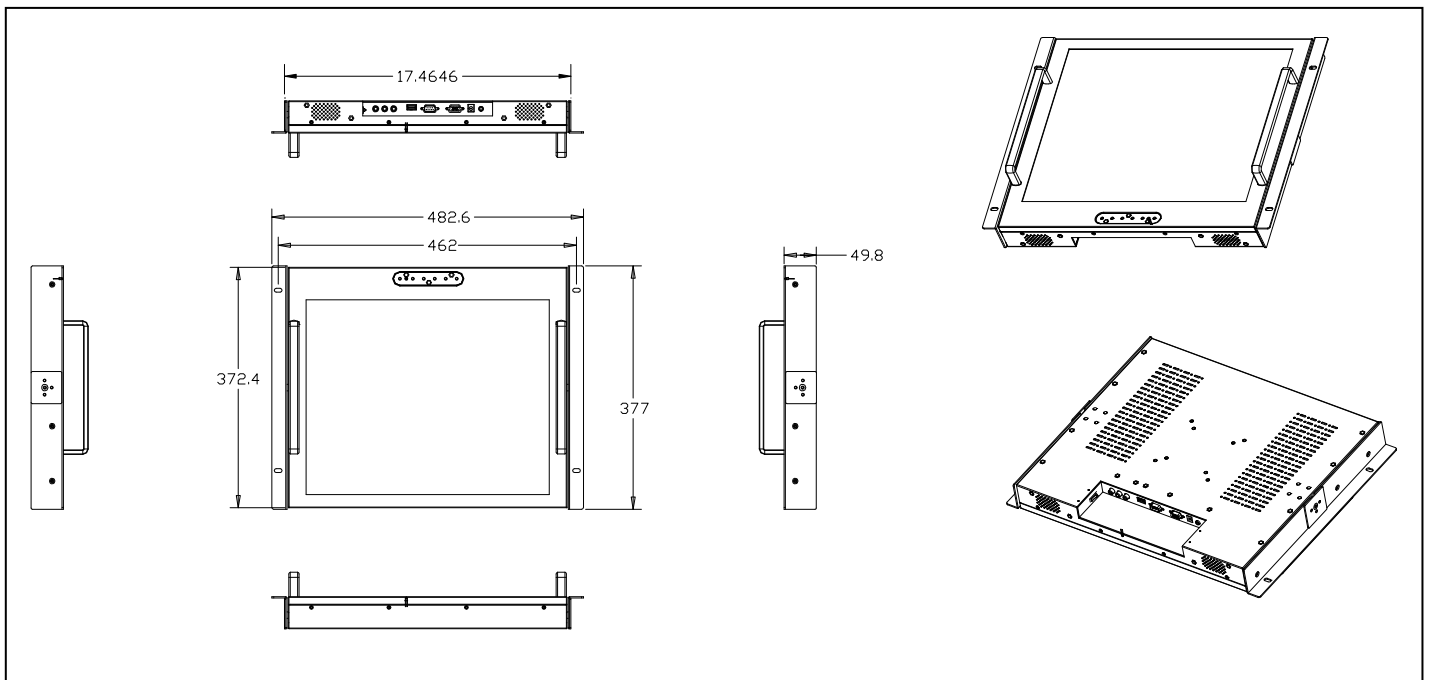
System

- Compact 19" Rack mount TFT LCD monitor, 8.5U High
- Construction: Heavy duty steel chassis
- Input signal: VGA , AV IN (optional)
- Control: Front panel OSD Control
- Power Supply: External 48W DC 12V power adapter
- OS Support: MS DOS, Windows 98/SE, Windows NT4.0, Windows 2000, Windows XP
- 90° tilt adjustment while mounted in rack:+45° ~-45° (V)
- Dimensions (W x H x D) :482.6*377* 49.8mm
- Packing Dimension:570x190x 540mm
- NET weight: 9.3KG
- Gross weight: 10.7KG
- Signal Connector: 15 Pin mini D-SUB , AV connector (optional)
- Function Control: Power Switch, Menu, Select (+,-), Auto
- OSD: Brightness, Contrast, H/V Position, Color, Phase, Clock, Management
- Touch screen (optional)
- Speaker : 2 x2 W internal speaker

LCD

- Display Type : 19" SXGA TFT LCD
- Resolution : 1280 × 1024
- Max.color : 16.7M
- Luminance : 300 cd/m2
- View Angel : 178°(H) , 178°(V)
- Pixel Pitch : 0.294 x 0.294 mm
- Contrast Ratio : 1000 : 1
- Response Time : 5 ms

Dimension Diagram



- Power Consumption : 23.25 W
- LCD MTBF : 50,000hrs

Touchscreen(optional)

- Type: Analog resistive 25VDC ≥ 20M Ω
- Resolution: continuous
- Light transmission: 79% or more
- Controller: RS-232 interface(or USB option)
- Power consumption:<5V @100Ma
- Surface hardness : 3H
- Operating force : ≤ 100g
- Software driver: Support windows 98/NT/2000/ME/XP
- Lifetime: 35 million times

Environmental

- Operating temperature: 32 °F~113 °F (0 °C to 45 °C)
- Storage temperature: -4 °F~140 °F (-20 °C to 60 °C)
- Storage humidity: 10% to 95%@ 40°C , on-condensing
- Vibration: 10 ~ 150Hz, 0.15mm 10 cycles 1G
- Shock: 30G peak acceleration (11 msec. duration)

Ordering information

RM-19	19" TFT LCD, 48W DC 12V Power Adapter
RM-19T	19" TFT LCD, Resistive Touchscreen, 48W DC 12V Power Adapter
RM-19A	19" TFT LCD, 48W DC 12V Power Adapter , w / AV IN Connector
RM-19TA	19" TFT LCD, Resistive Touchscreen, 48W DC 12V Power Adapter , w / AV IN Connector