



Intel / AMD / VIA CPU Compatible, with 2xPCI expansion slot

## Features

- 10.4" SVGA TFT LCD Panel
- Support MINI-ITX form factor main board
- High performance PC up to Pentium 4
- Expansion slot 2 x PCI
- Space for 2.5" HDD x 1
- Space for slim optical driver x 1
- AC 115-230V wide range power input
- NEMA4 / IP 65 compliant front panel
- Panel mounting with clip
- Meet standard VESA hole ( 75x75 and 100x100 mm ), support desk top stand / wall mount / swing arm mounting

## Optional

- Wireless LAN
- Touch Screen
- 300W Flex ATX power supply
- Open frame structure

## Specifications

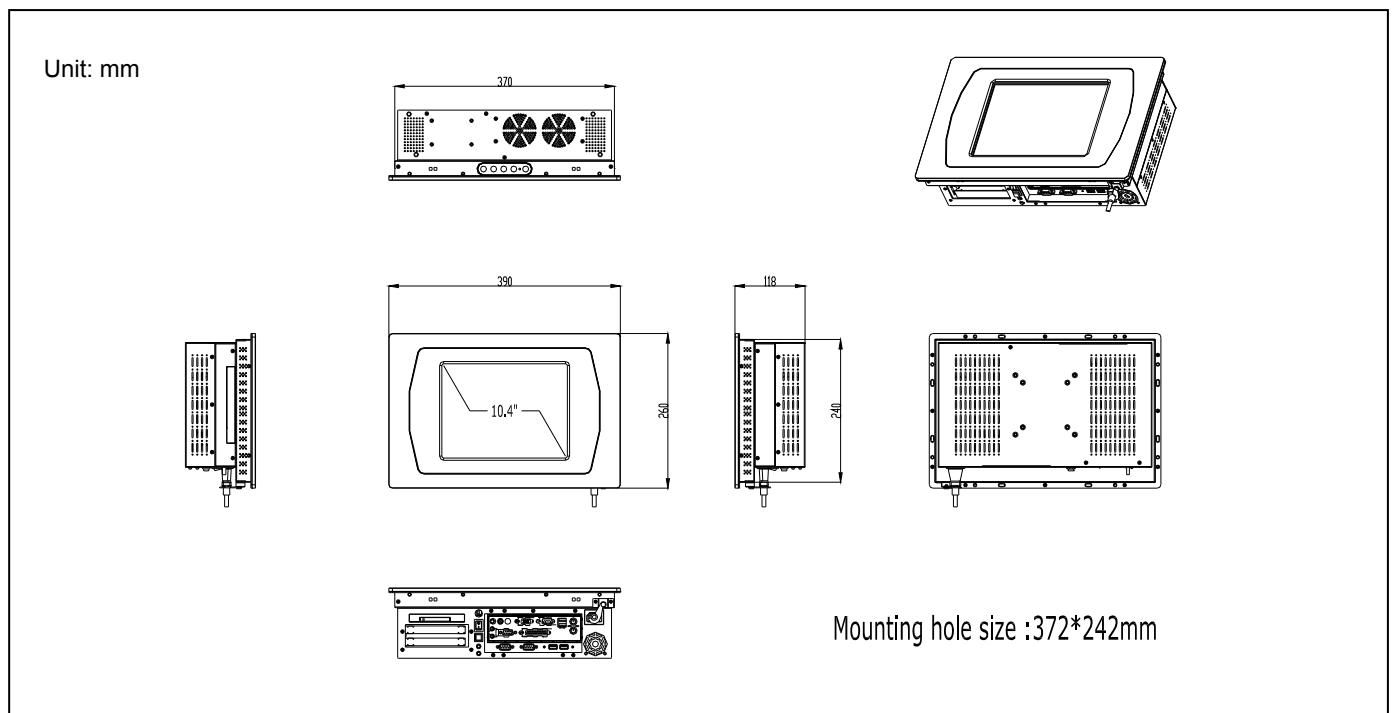
Mainboard	Space for standard MINI-ITX main board
Processors	Intel / AMD / VIA
Memory	Upgradable standard SDRAM / DDR /DDR2 memory
HDD	Space for 2.5" x 1
Optical Device	Space for Slim CDROM/DVDROM/Combo(DVD+CDRW)DVD±RW
Display	Display Type : 10.4" SVGA TFT LCD Resolution : 800 × 600 Max.color : 262K Luminance : 250 cd/m2 View Angel : 130°(H) , 100°(V) Pixel Pitch : 0.330 x 0.330 mm Contrast Ratio : 400 : 1 Response Time : 25 ms Power Consumption : 4 W LCD MTBF : 50,000hrs
Expansion Slots	2 x PCI slot
System Fan	2 x ( 60x60x10mm ) cooling fan
Speaker	Built-in 2x stereo speakers(2w)
OSD	Brightness, Contrast, H/V Position, Color, Phase, Clock, Management
Wireless LAN ( optional )	usb Interface,Support 64 and 128 bit WEP Encryption *802.11b:11Mbps Up to 180m(Outdoor), 35- 60 m(Indoor) *802.11g:54Mbps up to 50m(Outdoor),20m(Indoor)
Touch Screen ( optional )	Internal USB or RS-232 interface controller Type: Analog resistive type : 25VDC ≥ 20MΩ Resolution: continuous Light transmission: 80% or more Power consumption:<5V @1mA

	Surface hardness : 3H Operating force : ≤100g Life expectancy : 35 Million Operation system : Window 98 / 2000 / ME / XP / NT / CE, DOS , Linux
Power Supply	Input: 115~230VAC,50/60Hz Output: ATX 220W with active PFC +5V@ 13 A , +12V@ 16A
Construction	Heavy duty steel and aluminum front panel
Environment	Operating temperature: 32 °F~113 °F (0 °C to 45 °C) Storage temperature: -4 °F~140 °F (-20 °C to 60 °C) Storage humidity: 10% to 90%non-condensing Vibration: 17 to 500HZ 1G PTP Shock: 1G /peak( 11m sec)
Safety	CE/FCC/Rohs
Dimension W x H x D ( mm )	With front panel: 390 x 260 x 118 mm Without front panel: 387.6 x 257.6 x 113.3 mm
Weight ( kgs )	Net :      Gross :

## Ordering Information

IPPC-1042-220X	10.4" Industrial Panel PC Platform , with 220W Power Supply
IPPC-1042RTU-220X	10.4" Industrial Panel PC Platform with touch screen and USB controller, with 220W Power Supply
IPPC-1042RTC-220X	10.4" Industrial Panel PC Platform with touch screen and RS-232 controller, with 220W Power Supply
OPPC-1042-220X	10.4" Open Frame Panel PC Platform , with 220W Power Supply
OPPC-1042RTU-220X	10.4" Open Frame Panel PC Platform with touch screen and USB controller, with 220W Power Supply
OPPC-1042RTC-220X	10.4" Open Frame Panel PC Platform with touch screen and RS-232 controller, with 220W Power Supply
FX-300X	300W Flex ATX Power Supply

## Dimension Diagram



## Dimension Diagram(Open Frame Structure)

