

# → IPPC-1041

10.4" Industrial Panel PC



Open frame structure



With Aluminum front panel

## Features

- High performance PC up to Pentium 4
- 10.4" SVGA TFT LCD
- Modularized system Design
- Resistive Touch screen (optional)

## Specification

### system

- Board size: Mini-ITX (170X170mm)
- Intel@P4 Socket 478 / LGA775 processor up to 3.X Ghz
- Upgradable standard SDRAM / DDR memory
- System Fan: 2\* (60x60x10mm) cooling fan
- Speaker: 2\* 2W Stereo Speaker
- OSD : Brightness, Contrast, H/V Position, Color, Phase, Clock, Management
- Construction: Heavy duty steel & Aluminum (Front panel)
- Dimensions: (WxHxD) With front panel:366mm\*279mm\*130.9mm
- Dimensions: (WxHxD) W/O front panel:356mm\*269.5mm\*130.9 mm
- Open frame structure(optional)

### LCD

Display	10.4" TFT LCD
Resolution	800x600
Max. Colors	262144 colors
Luminance	220 cd/m <sup>2</sup>
MTBF	20,000 hrs
Pixel Pitch:	0.264mm
Contrast Ratio	500 : 1
Power consumption:	3.3W

### Storage

- 6 in 1 card reader ( Left side )
- Interchangeable slim optical drive ( Right side)
- 2.5" ATA / SATA high Capacity HDD ( horizontal)

### Environmental

- Operating temperature: 0°C to 60°C (32° F~ 140° F)
- Storage temperature: -20°C to 80°C (-68° F~ 176
- Storage humidity: 10% to 90%non-condensing
- Vibration: 17 to 500HZ 1G PTP
- Shock: 1G/peak(11m sec)
- Front panel protection: meet Nema4&IP65(IPPC)

### Power Supply

- INPUT: 115~230 VAC, 50/60Hz
- OUTPUT: 250W with PFC +5V@12A,+12V@10A

### Mounting

- Wall-mount/Desktop stand/swing arm
- Meets standard VESA(75/100mm)mounting



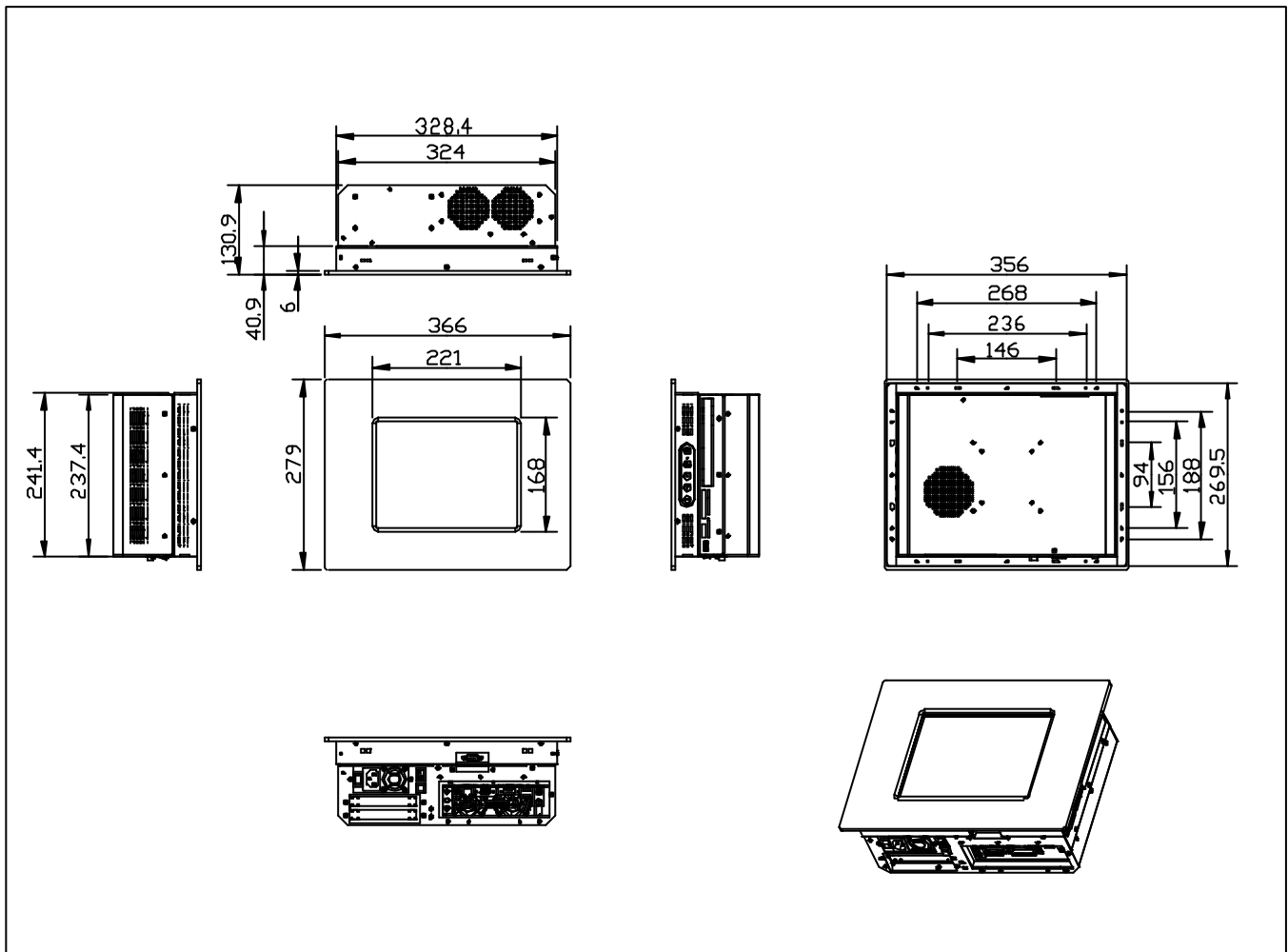
**ANNSO TECHNOLOGY CO., LTD**

Factory address: Hexi District of JinXia, Chang'an Town, Dongguan City, Guangdong, China.  
Tel: +86-769-5387700 5387755 5305389 5305396 5531482 5530279 Fax: +86-769-5329662



## Dimension Diagram

Unit:mm



## Ordering Information

- |                   |  |
|-------------------|--|
| <b>IPPC-1041</b>  | Industrial Panel PC with 10.4" TFT LCD and 250W power supply.                          |
| <b>IPPC-1041T</b> | Industrial Panel PC with 10.4" TFT LCD, Touch screen and 250W power supply.            |
| <b>OPPC-1041</b>  | Open frame Industrial Panel PC with 10.4" TFT LCD and 250W power supply.               |
| <b>OPPC1041T</b>  | Open frame Industrial Panel PC with 10.4" TFT LCD, Touch screen and 250W power supply. |