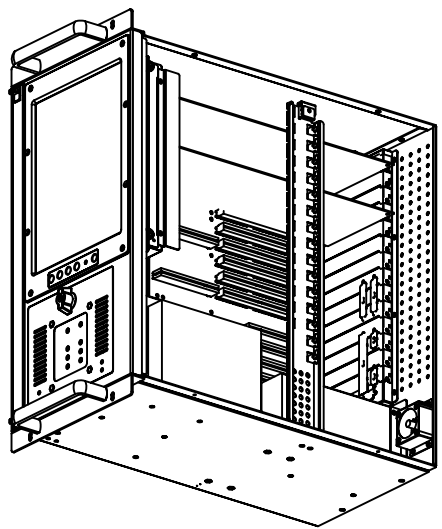
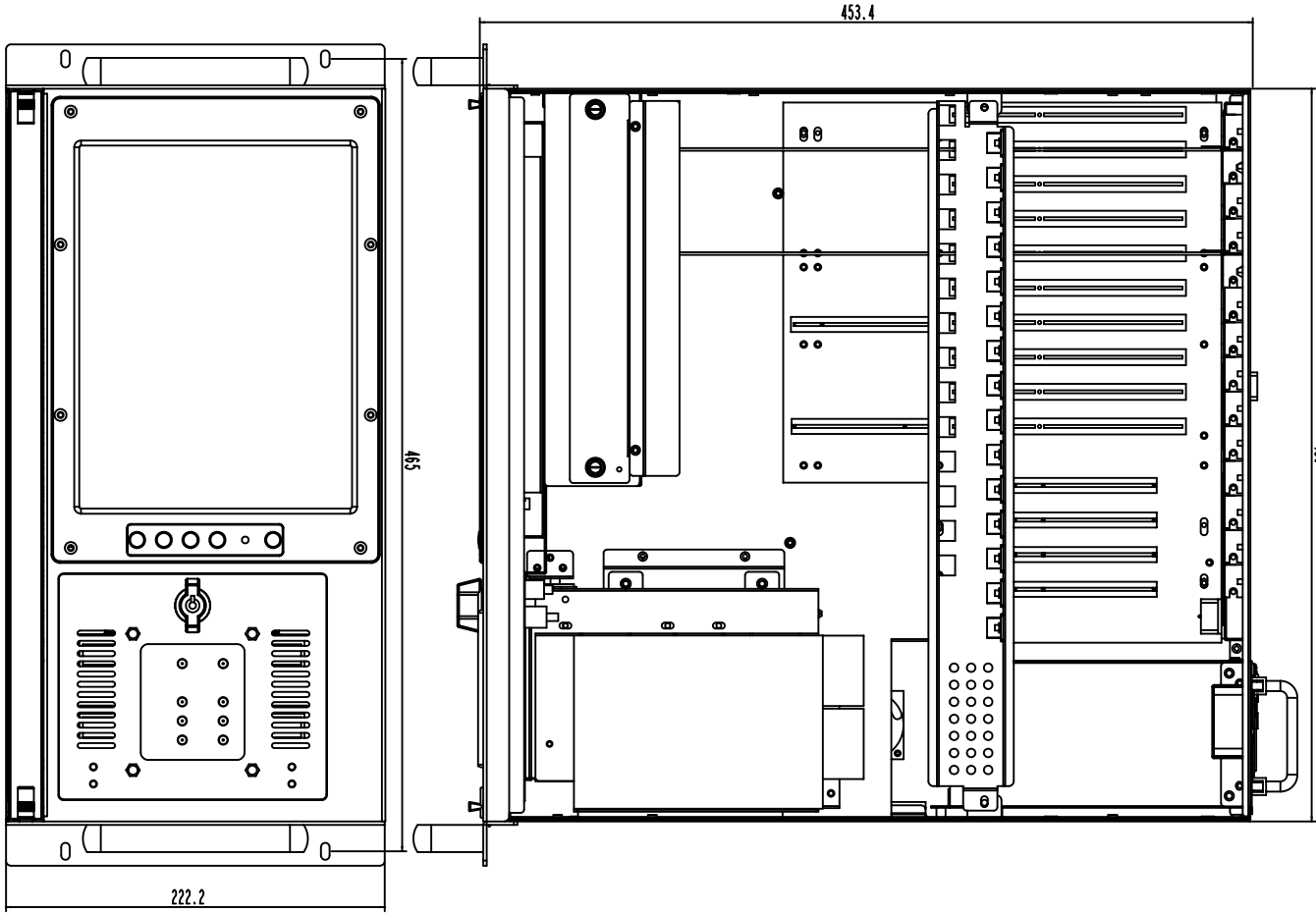


NO.	DESCRIPTION	UNIT	DATE



SCALE 1:2

Approved for construction  
 Checked by  
 Drawn by  
 Date

		No. 11 Date: 11/11/11 Scale: 1:2 Project: AMT-2000-ASSST
Design: [Name] Check: [Name] Draw: [Name]	Date: 11/11/11 Scale: 1:2 Project: AMT-2000-ASSST	No. 11 Date: 11/11/11 Scale: 1:2 Project: AMT-2000-ASSST