

15" High brightness Rack Mount LCD Monitor



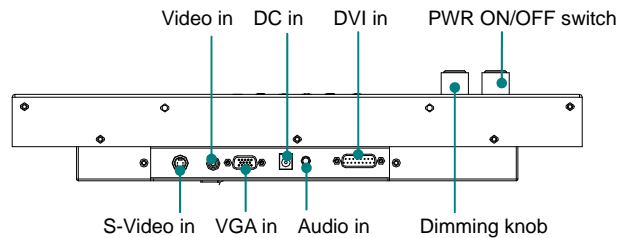
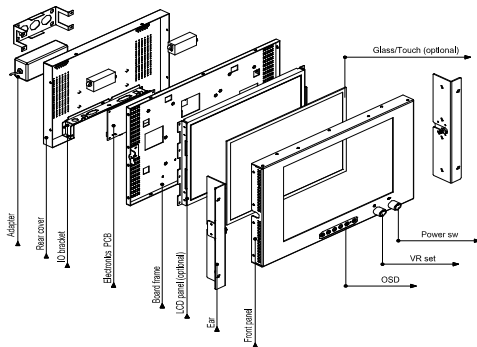
RMB-15HB-M1

Features

- 15" XGA High Brightness TFT LCD Panel support 1024 x 768 pixels
- Heavy duty Steel enclosure
- Compact 19" Rack mount, 7 U height
- 90° tilt adjustment while mounted in rack: +45° ~-45° (V)
- Input signal : VGA +Audio (DVI+S-Video+ Video option)
- 1600 cd/m2 brightness
- Front hardness glass protect screen (touch option)
- OSD control keys to optimize the display
- AC 100-240V wide range external ac adapter (DC 8-30V input option)
- Speaker : 2x2 W Stereo internal speaker



Design Drawings



• Unit : mm

Specifications

TFT characteristics

Display Type	: 15" XGA TFT LCD
Screen resolution (Pixels)	: 1024 x 768
Brightness	: 1600cd/m2
Contrast Ratio	: 600 : 1
Pixel Size	: 0.297*0.297
Max Color	: 16.7M
Viewing angle(L/R,T/B)	: 80/80, 80/80
Response Time	: 8 ms

Mechanical and Environmental

Construction	: Heavy steel enclosure
Mounting	: Rack mount 7U height
Tilt adjustable	: +45° ~-45° (V)
Dimensions (WxHxD)	: 480.8 x 310.3 x 63.5mm
Weight	: Net: 8.2kg , Gross: 10kg
Operating temperature	: -15 °C to 75 °C
Storage temperature	: -30 °C to 80 °C
Storage humidity	: 10% to 90% non-condensing
Anti-Vibration	: 17HZ-500 HZ 1G PTP
Anti-Shock	: 1G / peak(11m sec)

Available Options

Touch Screen	: Resistive Type
DC Power Input	: 8 ~ 30V Wide range power input
AV input	: S-Video, Composite, DVI input

Input Signals

RGB Signal	: D-SUB 15P Connector (female)
DVI Signal	: DVI- D Connector (female) (option)
Composite Video Signal	: RAC connector (option)
S-Video Signal	: S-Video (mini-4pin) (option)
DC input	: DC JACK (2.0mm)
Audio input	: 3.5" Jack

Power Specifications

Input	: 100~240VAC,50/60Hz
Output	: DC12V@ 4A /48W ,external ac adapter

Certification and Approvals

• CE/FCC/ROHS

15" High brightness Rack Mount LCD Monitor



RMB-15HB-M1

Ordering Information

- RMB-15HB-M1 : 15" High Brightness Rack Mount LCD with VGA + Audio input
- RMB-15HB-M1RTC : 15" High Brightness Rack Mount LCD with VGA + Audio input, with touch screen and RS-232 controller
- RMB-15HB-M1RTU : 15" High Brightness Rack Mount LCD with VGA + Audio input, with touch screen and USB controller
- RMB-15AHB-M1 : 15" High Brightness Rack Mount LCD with VGA + DV + S-Video + Video + Audio input
- RMB-15AHB-M1RTC : 15" High Brightness Rack Mount LCD with VGA + DVI+ S-Video + Video + Audio input, with touch screen and RS-232 controller
- RMB-15AHB-M1RTU : 15" High Brightness Rack Mount LCD with VGA + DVI+ S-Video + Video + Audio input, with touch screen and USB controller

Design Drawings

