

### System

- Compact 19" Rack mount TFT LCD monitor, 3U High
- Construction: Heavy duty steel chassis
- Input signal: VGA , Video, S-Video
- Control: Front panel OSD Control
- Power Supply: External 48W DC 12V power adapter
- OS Support: MS DOS, Windows 98/SE, Windows NT4.0, Windows 2000, Windows XP
- Video Source: NTSC/Pal and detect
- Input per panel(total):1(2)composite,1(2)S-Video
- 90° tilt adjustment while mounted in rack:+45° ~-45° ( V )
- Dimensions (W x H x D):482.6\*133\* 62.7mm
- Packing Dimension:600x190x 320mm
- NET weight: 5.7KG
- Gross weight: 6.6KG
- Signal Connector: 15 Pin mini D-SUB,Video,S-Video connector
- Function Control: Power Switch, Menu, Select (+,-), Enter
- OSD: Brightness, Contrast, H/V Position, Color, Phase, Clock, Management
- Touch screen (optional)



### LCD

- Display Type: 7" VGA TFT LCD
- Screen resolution (Pixels): 800\*480
- Brightness: 350 nits
- Contrast Ratio: 200: 1
- Pixel Size: 0.1905\*0.1905
- Maximum Color: 262K
- Viewing angle ( L/R ,U/D ): 50/50 ,50/50
- Response Time: 30 ms
- Power Consumption: 4 Watts
- MTBF: 50,000 hrs.

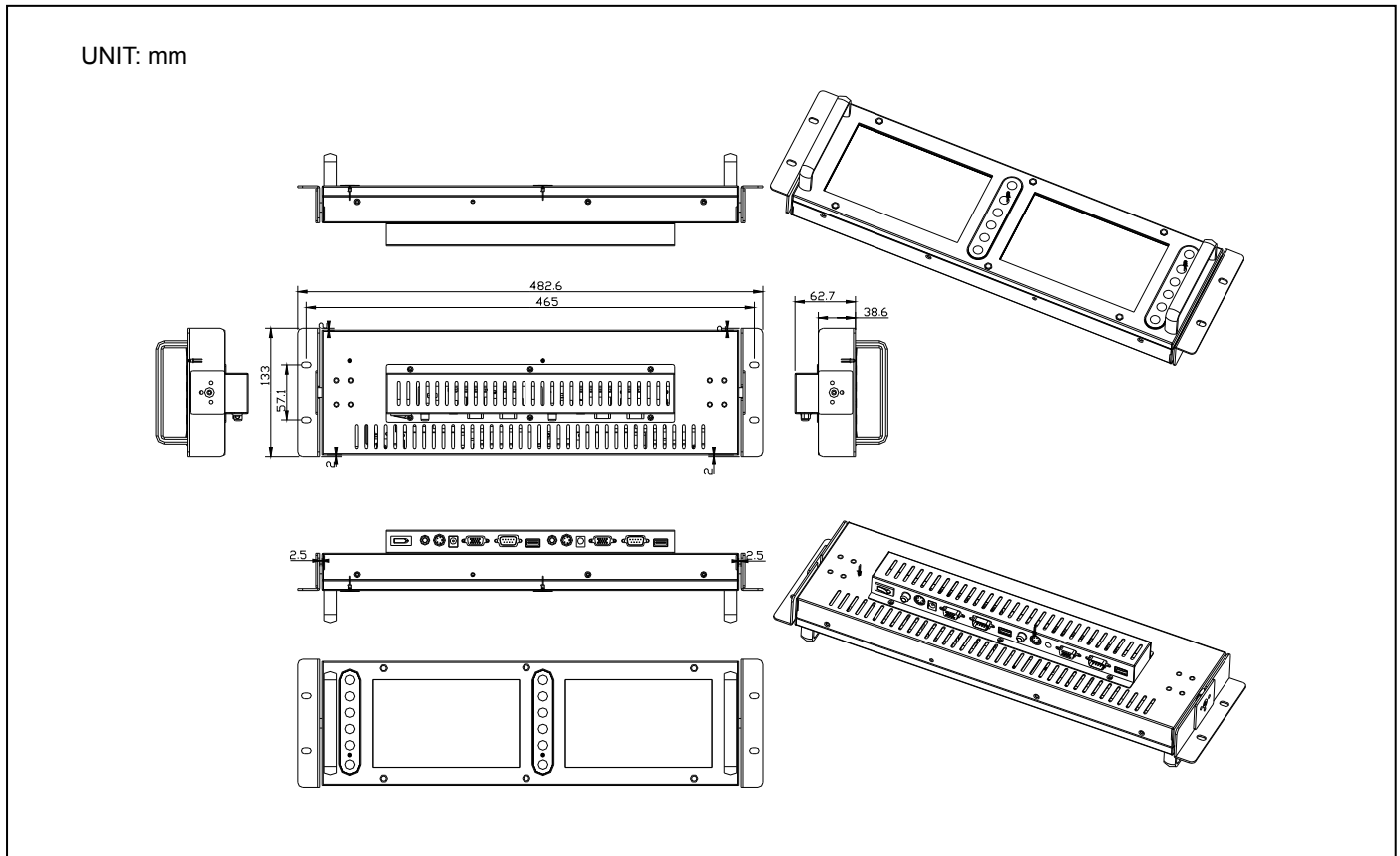
### Touchscreen(optional)

- Internal USB or RS-232 interface controller
- Type: Analog resistive type : 25VDC ≥ 20MΩ
- Resolution: continuous
- Light transmission: 80% or more
- Power consumption:<5V @1mA
- Surface hardness : 3H
- Operating force : ≤100g
- Life expectancy : 35 Million
- Operation system : Window 98 / 2000 / ME / XP / NT / CE, DOS , Linux

### Environmental

- Operating temperature: 0°C to 45°C (32°F~113°F)
- Storage temperature:-20°C to 60°C (-4°F~140°F)
- Storage humidity: 10% to 95% @ 40°C,non-condensing
- Vibration: 10 ~ 150Hz, 0.15mm 10 cycles 1G
- Shock: 30G peak acceleration (11 msec. duration)

## Dimension Diagram



## Ordering Information

RM-2X7	Two 7" TFT LCD, 48W DC 12V Power Adapter
RM-2X7T	Two 7" TFT LCD, Resistive Touchscreen, 48W DC 12V Power Adapter