

# Rugged Rack Mount Display Monitor



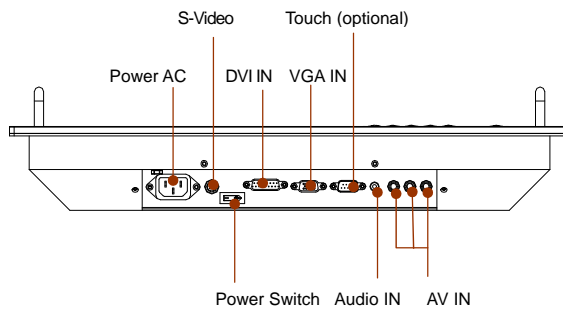
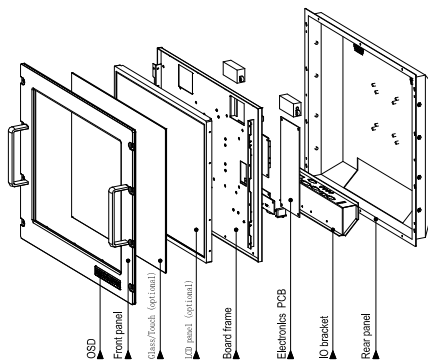
## RGRM-19

### Features

- Compact 19" rack mount display monitor with 9U height
- 19" SXGA TFT LCD panel support 1280x1024 pixels
- 6mm Aluminum Front Bezel with Hardness Glass protect screen ( Touch option )
- Enhance anti-shock and vibration resistance design for harsh environment
- Rugged steel enclosure powder coating with anti- corrosion design
- Input signal : VGA + DV I+ Audio ( AV input option )
- 300 cd/m2 brightness
- Front OSD control button to optimized display
- Meet standard VESA hole ( 75x75 , 100x100mm )
- Build in 2x2 Watts stereo speaker
- AC 100-240V wide range input ( DC input option )
- Front Panel IP65 Compliant



### Design Drawings



\* Unit : mm

### Specifications

#### TFT characteristics

Display Type	: 19" SXGA TFT LCD
Screen resolution (Pixels)	: 1280 × 1024
Brightness	: 300 cd/m2
Contrast Ratio	: 1000 : 1
Pixel Size	: 0.294*0.294
Max Color	: 16.7MB ( 8 bits / colors )
Viewing angle(L/R,T/D)	: 89/89, 89/89
Power Consumption	: 24W
Response Time	: 5 ms
LCD MTBF	: 50,000hrs

#### Mechanical and Environmental

Dimensions ( WxHxD )	: 482.6x399.2x 72 mm
Operating temperature	: 0 °C to 45°C
Storage temperature	: -20 °C to 60 °C
Storage humidity	: 10% to 90% ,non-condensing
Vibration	: 1grms ( 5-500Hz / 3-axes )
Shock	: 15g/11ms
Weight	: Net: kg , Gross: kg

#### Input Signals

RGB Signal	: D-SUB 15P connector(female)
DVI-D Signal	: DVI- D 24 pin connector (female)
Composite Audio/Video	: RCA phono plug S-Video
S-Video Signal	: S-Video (SVHS) plug
AC Power Signal	: Standard IEC Inlet
DC Power Signal (Option)	: 5.8mm DC Jack with Lockable
Touch Screen RS-232 (Optional)	: D-SUB 9P connector
Touch Screen USB (Optional)	: USB-A connector (female)

#### Power Specifications

Input : 100~240VAC,50/60Hz , IEC 320 AC inlet

#### Available options

Touch Screen	: Resistive / Capacitive / IR / SAW touch
DC Power Input	: Wide Range 8-30V DC Input
AV Input	: Composite Video/Audio , S-Video Input

# Rugged Rack Mount Display Monitor



## RGRM-19

### Certification and Approvals

• CE/FCC/ROHS

### Ordering Information

#### VGA+DVI Input

**RGRM-19** : 19" SXGA Rugged Rack Mount Display Monitor with VGA+DVI +Audio Input

**RGRM-19RTU** : 19" SXGA Rugged Rack Mount Display Monitor with VGA+DVI +Audio Input with Resistive touch screen and USB controller

**RGRM-19RTC** : 19" SXGA Rugged Rack Mount Display Monitor with VGA+DVI +Audio Input with Resistive touch screen and RS-232 controller

#### AV Input

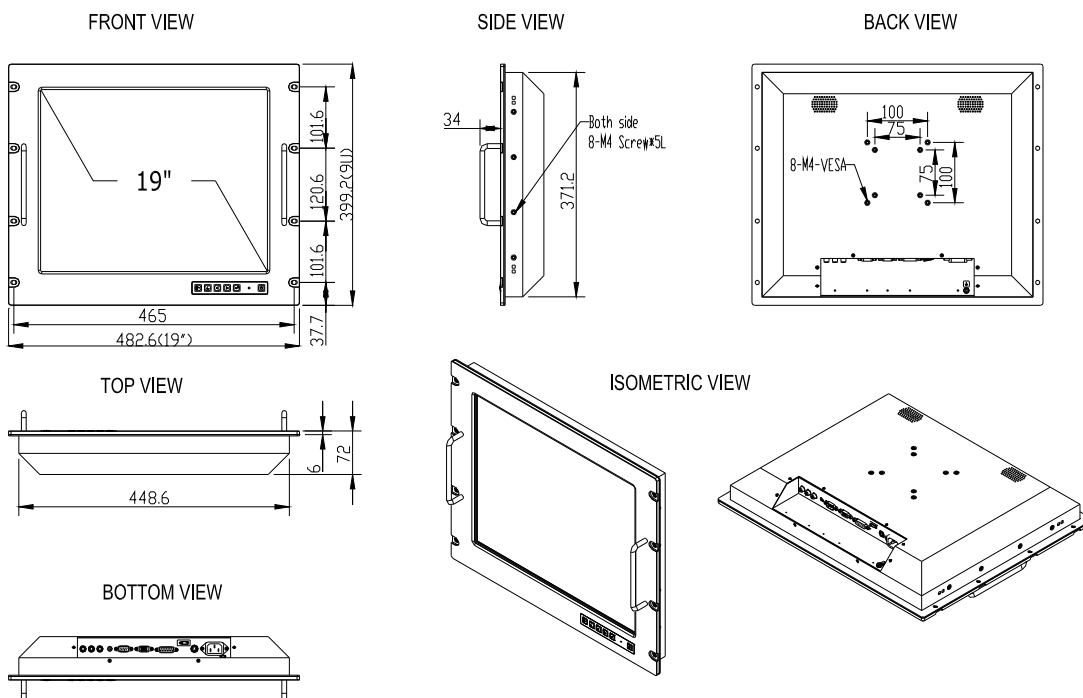
**RGRM-19A** : 19" SXGA Rugged Rack Mount Display Monitor with VGA+DVI+AV + S-Video +Audio Input

**RGRM-19ARTU** : 19" SXGA Rugged Rack Mount Display Monitor with VGA+DVI+AV + S-Video +Audio Input with Resistive touch screen and USB controller

**RGRM-19ARTC** : 19" SXGA Rugged Rack Mount Display Monitor with VGA+DVI+AV + S-Video +Audio Input with Resistive touch screen and RS-232 controller

### Design Drawings

#### Front IP65 compliant



\* Unit : mm