

42" Public Information Center

PIPC-9G42D

Features

- 42" FULL HD TFT LCD Panel support 1920*1080 pixels
- Intel Core 2 Duo/ Core Duo / Core Solo / Celeron M CPU with 533/667 MHz FSB
- Plastic LCD PC module with Rugged construction Stand design
- Input signal : VGA + DVI +AV+ S-video + Audio
- 500 cd/m2 brightness
- OSD control keys to optimize the display
- Build in 2x 8 Watts stereo speaker
- AC 100-240V wide range power input
- System with 2 x Fan
- Front hardness glass protect screen



Specifications

Display characteristics

Display Type	: 42" FULL HD TFT LCD
Screen resolution (Pixels)	: 1920*1080
Brightness	: 500 nits
Contrast Ratio	: 1500 : 1
Pixel Size	: 0.4845*0.4845
Maximum Color	: 16.7M
Viewing angle (L/R ,U/D)	: 89/89 ,89/89
Response Time	: 20 ms
Power Consumption	: 187 Watts
MTBF	: 60,000 hrs.

Available Options

Touch Screen	: SAW touch
Wireless LAN	: Meet IEEE802.11b/g standard

Mechanical and Environmental

Construction	: Heavy duty steel
Operating temperature	: 32 °F~ 113 °F (0 °C to 45°C)
Storage temperature	: -4 °F~ 140 °F (-20 °C to 60 °C)
Storage humidity	: 10% to 90% non-condensing
Vibration	: 17 to 500HZ 1G PTP
Shock	: 1G /peak (11m sec)
Dimensions (WXDXH)	: 1060 x 455 x 1865 mm
Weight	: Net: , Gross:

Ordering Information

PIPC-9G42DC20	: 42" Intel Core 2 Duo 2.0 GHz(T2450) Public information center
PIPC-9G42DC16	: 42" Intel Core 2 Duo 1.6 GHz(T2300 Public information center
KB/MS Kit	: Wireless Keyboard and Mouse
WLAN Kit	: Wireless LAN

System Characteristics

Processor	: Intel Core 2 Duo/ Core Duo / Core Solo / Celeron M CPU with 533 MHz FSB
Chipset	: Intel 945GME+ ICH7M
Memory	: 2x 240 pin DIMM, Max. 2GB DDR2 533/667 MHz
Graphic	: Intel GMA 950 (224MB shared)
Storage	: Space for 1x 3.5" HDD (SATA)
Optical device	: Space for slim type CDROM/DVDROM/Combo (DVD+CDRW)DVD±RW
SSD	: 1 x CF type II
Ethernet	: 2 x Gigabit Ethernet
VGA port	: 1 x VGA Connector
DVI Port	: 1 x DVI connector
HDMI	: 1 x HDMI connector
Audio	: Realtek ALC888 HD Audio CODEC,build in 2x 8 watts stereo speaker
USB Port	: 6 x USB
Serial Port	: 2 x RS-232
Expansive Slot	: 1 x PCI, 1 x Mini PCI , 1x mini PCI-E(optional)

Power Specifications

Input	: 100~240V AC, 50/60Hz
Output	: 24V/10A+12V/3A+ 5V/6A 300Watts for LCD Panel power 12V/5A 60Watts For PC

Certification and Approvals

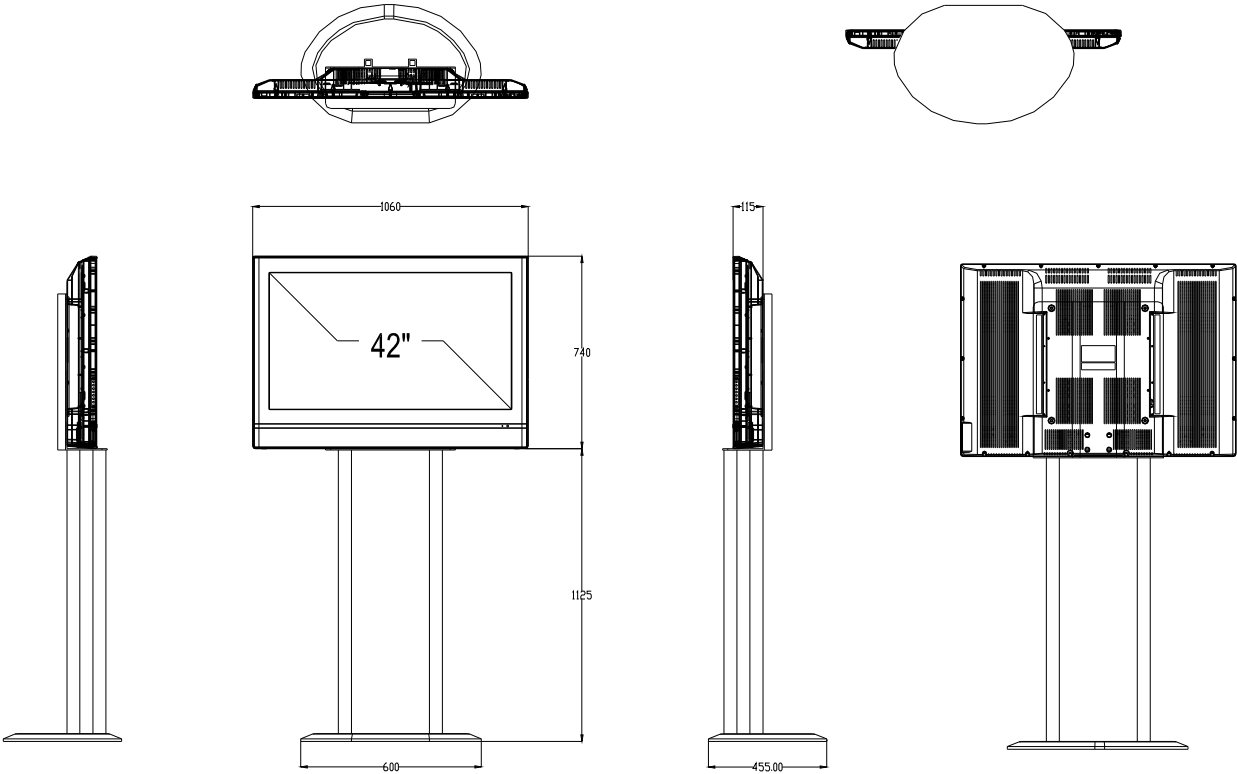
- CE/FCC

42" Public Information Center



PIPC-9G42D

Design Drawings



* Unit : mm