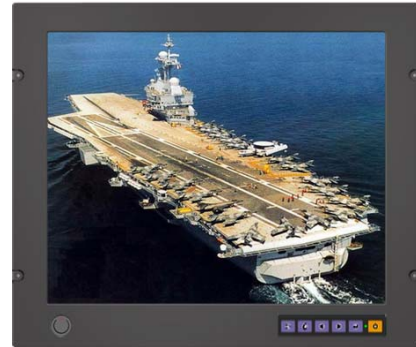


# 17" High Brightness Marine Bridge System Display

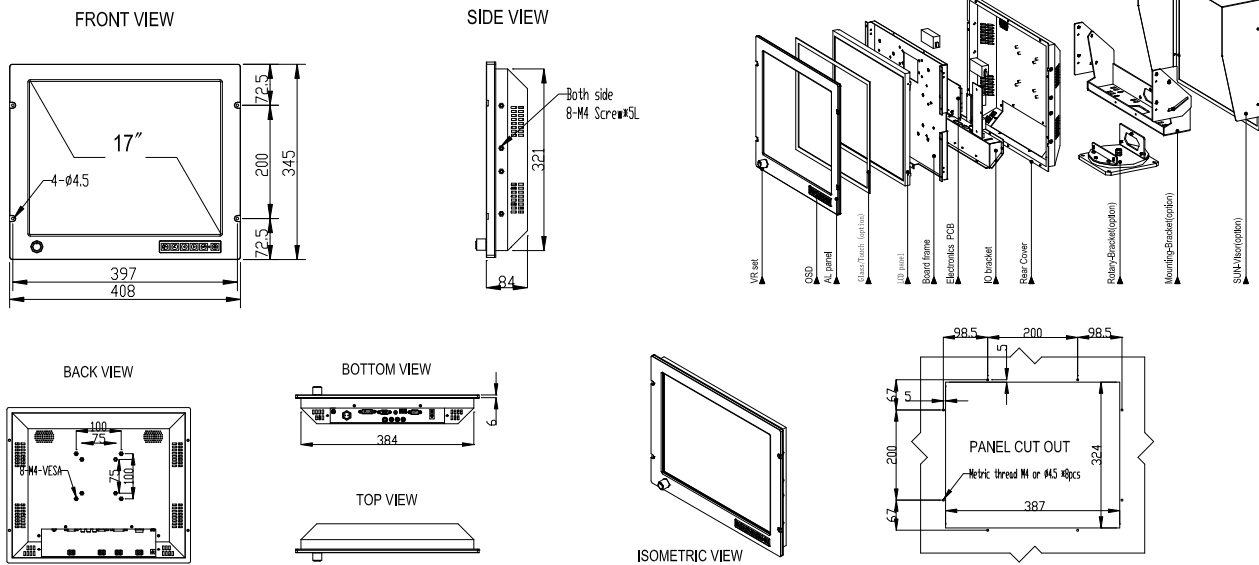
## MBPM-17HB

### Features

- Dimming knob control backlight brightness from nearly 0% to 100%
- Front IP65 aluminum bezel with powder coating
- Wide range DC8~30V power input with Lockable connector (AC Power in option)
- Front hardness AR glass protection (touch option)
- 1000cd/m2 brightness
- Build in 2 x 2 watts stereo speaker
- IP65 Front OSD Design , Ease for use front OSD control
- Enhanced anti-shock and vibration resistance design
- Meet standard VESA hole ( 75 x 75mm and 100 x 100mm)
- Panel ( Flush ) mount ,VESA and bracket mount



### Design Drawings



Unit :mm

### Specifications

#### TFT Characteristics

Display Type	: 17" SXGA TFT LCD
Pixel Number	: 1280 x 1024
Pixel Pitch(RGB)	: 0.264(H) x 0.264(V)
Display area	:337.92(H) x270.336(V) mm
Contrast Ratio	: 800: 1
Light Intensity	: 1000 cd/m2
Viewable Angles (L/R,U/D)	: 80/80 , 80/80
Max Colors	: 16.7M
Response time	: 5ms
Power consumption	: 50 W
LCD MTBF	: 50.000hrs

#### Mechanical and Environmental

Power Control	: Front Power On/Off Button
VR Control	: Front VR Brightness Knob Control
OSD control	: Front on screen display control
Mounting	: Panel ( Flush ) mount ,VESA and bracket mount
Dimensions (WxHxD)	: 408 x 345 x 84 mm
Weight	: Net: kg Gross: kg
Operating Temperature	: 0 °C to 50 °C
Storage temperature	: -20 °C to 60 °C
Storage humidity	: 5% to 95%non-condensing
Anti-Vibration	:5Hz~500 Hz / 1G PTP
Anti-Shock	:15G / Peak( 11m sec)

#### Available Options

Touch Screen	: Resistive / Capacitive / IR / SAW
AC Power input	: 100 to 240 V AC
Bracket mount	: Stand and roof mount / Rotary bracket / Sun Visor bracket

#### Input Signals

RGB Signal	: D-SUB 15P connector(female)
Composite Video	: RCA phono plug
S-Video Signal	: S-Video (SVHS) plug
DVI-D Signal	: DVI-D input 24pin connector
DC Power Signal	: 5.8mm DC Jack with Lockable
AC Power Signal (Option)	: Standard IEC Inlet
Touch Screen RS-232 (Option)	: D-SUB 9P connector (female)
Touch Screen USB (Option)	: USB-A connector (female)

#### Power Specifications

DC Input : 8~30V DC to DC power input with Lockable connector



# 17" High Brightness Marine Bridge System Display

## MBPM-17HB

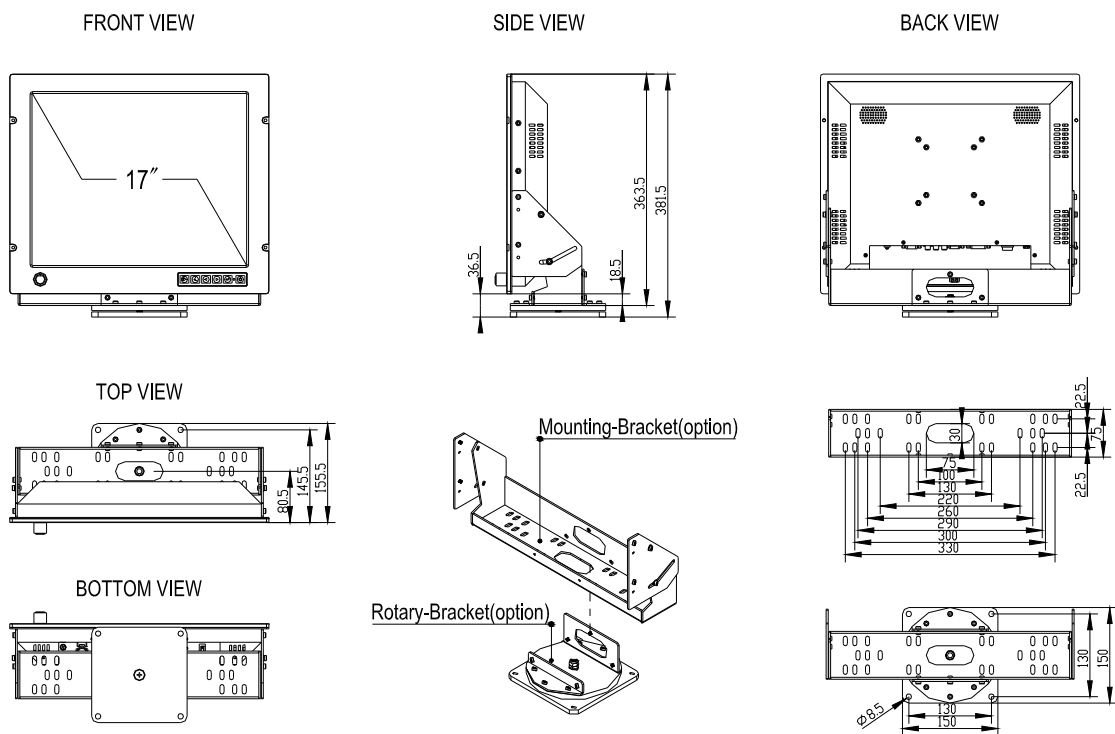
### Certification and Approvals

CE /FCC/ RoHs  
 Certification: IEC60945

### Ordering Information

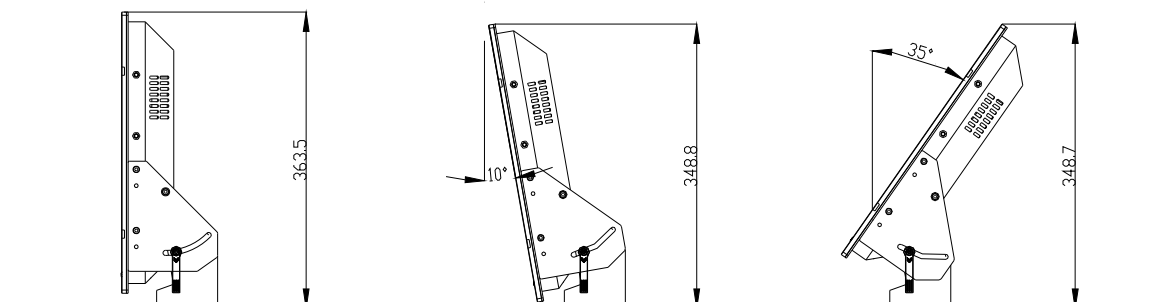
- Input**
- MBPM-17HB : 17" High brightness Marine LCD Monitor with VGA +DVI + S-Video + AV input
  - MBPM-17HBRTU : 17" High brightness Marine LCD Monitor with VGA +DVI + S-Video + AV input, with resistive touch and USB controller
  - MBPM-17HBRTC : 17" High brightness Marine LCD Monitor with VGA +DVI + S-Video + AV input, with resistive touch and RS-232 controller
- Robust Bracket kit**
- SR-BKT : Mounting bracket for stand and roof mount
  - RT-BKT : Rotary bracket
  - SV-BKT : Sun Visor bracket

### Mechanical Drawing with Robust Bracket (options)



### STAND MOUNT Bracket

Unit : mm

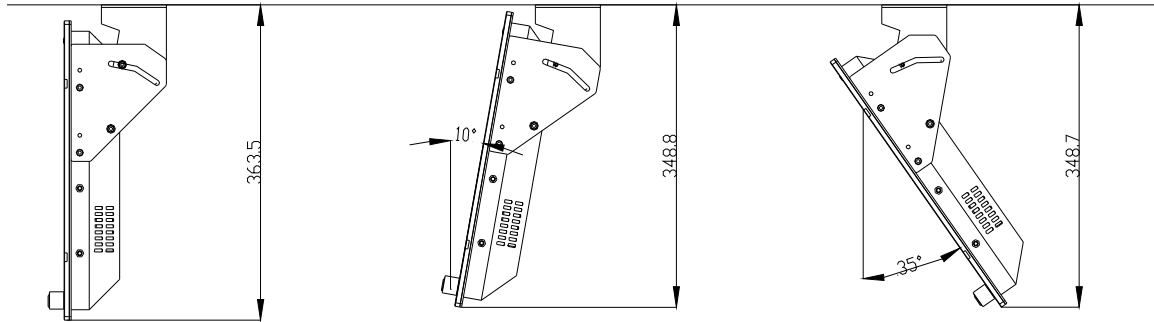




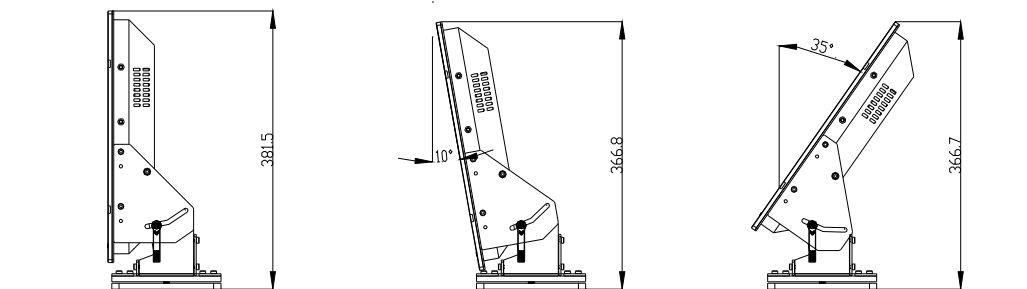
# 17" High Brightness Marine Bridge System Display

## MBPM-17HB

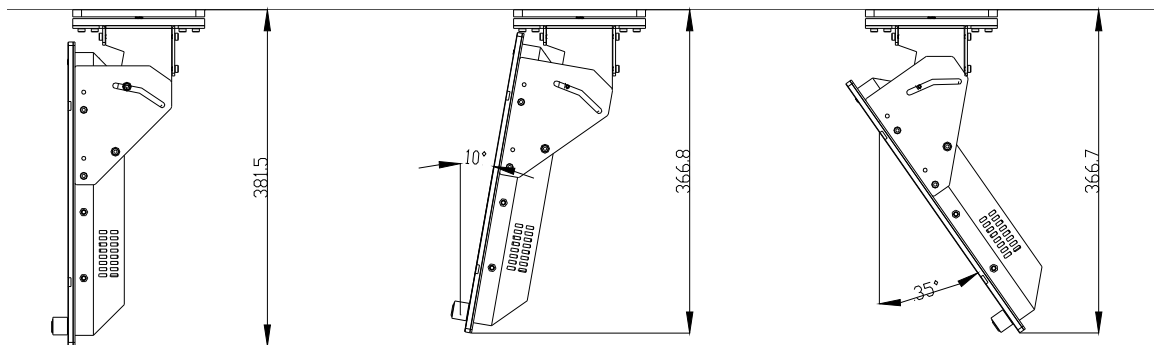
### ROOF MOUNT Bracket



### STAND MOUNT Bracket +Rotary Bracket



### ROOF MOUNT Bracket + Rotary Bracket



### Sun Visor Bracket

