



17" Marine Bridge System Display

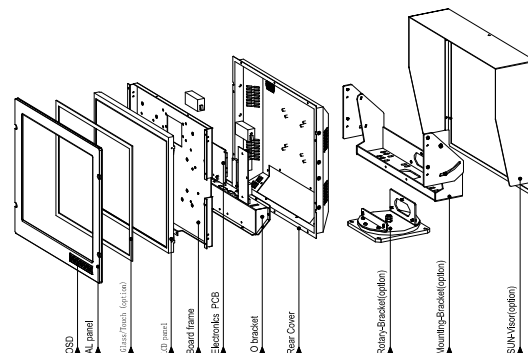
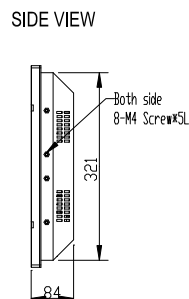
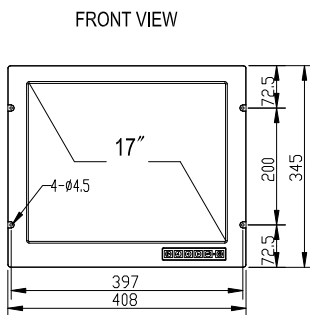
MBPM-17

Features

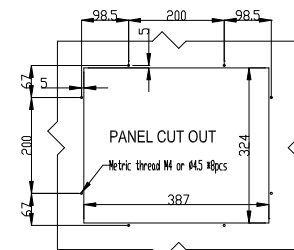
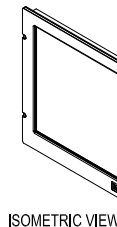
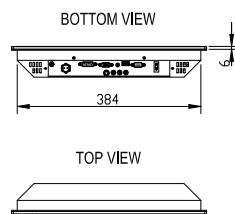
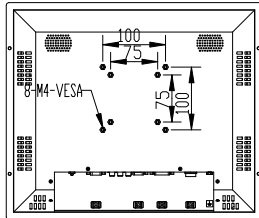
- Front IP65 aluminum bezel with powder coating
- Wide range DC8~30V power input with Lockable connector (AC Power in option)
- Front hardness AR glass protection (touch option)
- Built in 2 x 2 watts stereo speaker
- IP65 Front OSD Design , Ease-of-use front OSD control
- Enhanced anti-shock and vibration resistance design
- Meet standard VESA hole (75 x 75mm and 100 x 100mm)
- Panel (Flush) mount ,VESA and bracket mount



Design Drawings



BACK VIEW



Unit : mm

Specifications

TFT Characteristics

| | |
|----------------------------|------------------------|
| Display Type | : 17" SXGA TFT LCD |
| Screen resolution (Pixels) | : 1280 x 1024 |
| Brightness | : 300cd/m ² |
| Contrast Ratio | : 1000 : 1 |
| Pixel Size | : 0.264*0.264 |
| Max Color | : 16.7MB |
| Viewing angle | : 178° (H) , 178° (V) |
| Response Time | : 5 ms |
| LCD MTBF | : 50,000hrs |

Mechanical and Environmental

| | |
|-----------------------|---|
| Power Control | : Front Power On/Off Button |
| OSD control | : Front on screen display control |
| Mounting | : Panel (Flush) mount ,VESA and bracket mount |
| Dimensions (WxHxD) | : 408 x 345 x 84 mm |
| Weight | : Net: kg Gross: kg |
| Operating Temperature | : 0 °C to 50 °C |
| Storage temperature | : -20 °C to 60 °C |
| Storage humidity | : 5% to 95%non-condensing |
| Anti-Vibration | :5Hz~500 Hz / 1G PTP |
| Anti-Shock | :15G / Peak(11m sec) |

Available Options

| | |
|----------------|---|
| Touch Screen | : Resistive / Capacitive / IR / SAW |
| AC Power input | : 100 to 240 V AC |
| Bracket mount | : Stand and roof mount / Rotary bracket / Sun Visor bracket |

Input Signals

| | |
|------------------------------|-------------------------------|
| RGB Signal | : D-SUB 15P connector(female) |
| Composite Video | : RCA phono plug |
| S-Video Signal | : S-Video (SVHS) plug |
| DVI-D Signal | : DVI-D input 24pin connector |
| DC Power Signal | : 5.8mm DC Jack with Lockable |
| AC Power Signal (Option) | : Standard IEC Inlet |
| Touch Screen RS-232 (Option) | : D-SUB 9P connector (female) |
| Touch Screen USB (Option) | : USB-A connector (female) |

Power Specifications

DC Input : 8~30V DC to DC power input with Lockable connector



17" Marine Bridge System Display

MBPM-17

Certification and Approvals

CE /FCC/ RoHs

Certification: IEC60945

Ordering Information

Input

MBPM-17 : 17" Marine LCD Monitor with VGA +DVI + S-Video + AV input

MBPM-17RTU : 17" Marine LCD Monitor with VGA +DVI + S-Video + AV input, with resistive touch and USB controller

MBPM-17RTC : 17" Marine LCD Monitor with VGA +DVI + S-Video + AV input, with resistive touch and RS-232 controller

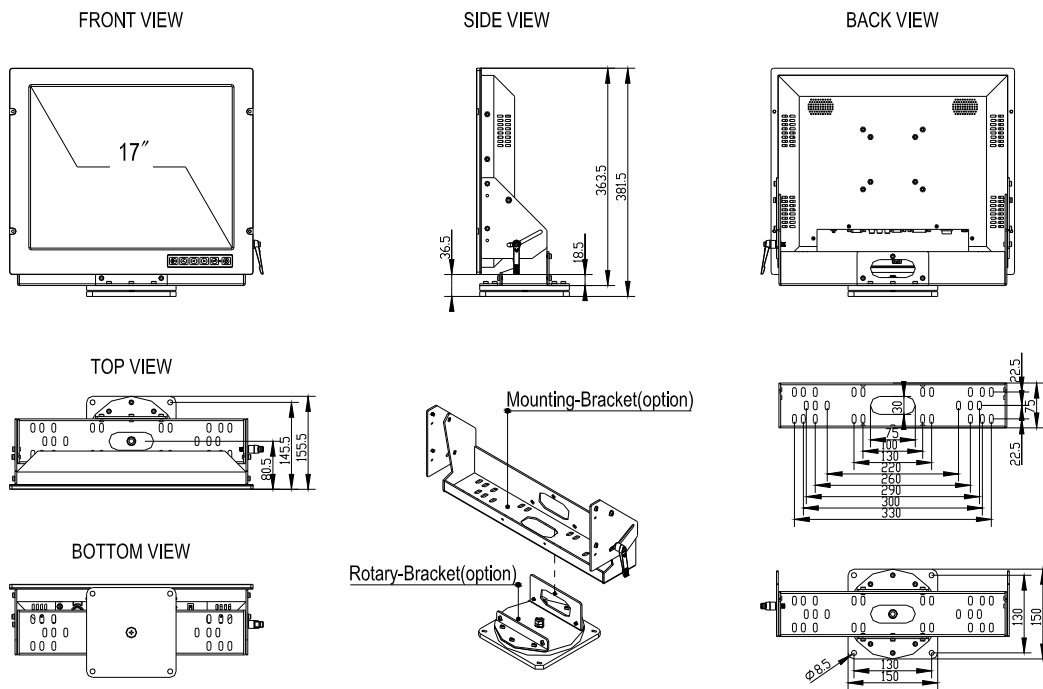
Robust Bracket kit

SR-BKT : Mounting bracket for stand and roof mount

RT-BKT : Rotary bracket

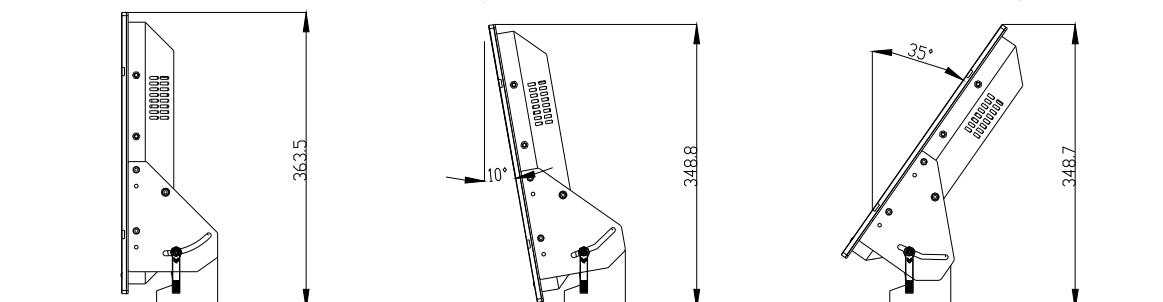
SV-BKT : Sun Visor bracket

Mechanical Drawing with Robust Bracket (options)



STAND MOUNT Bracket

Unit :mm

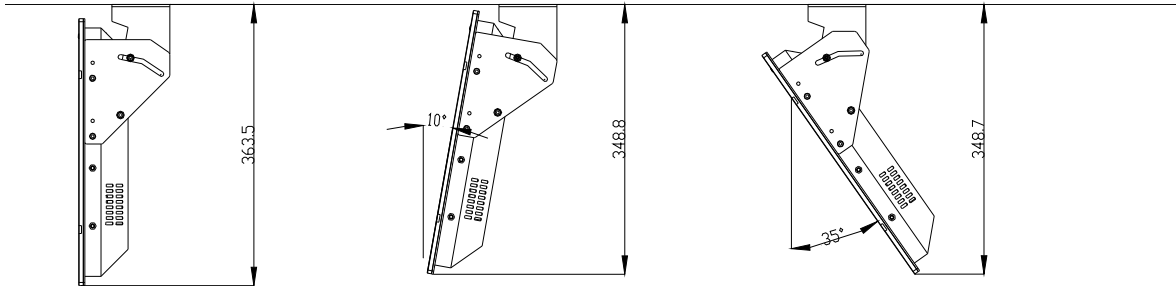




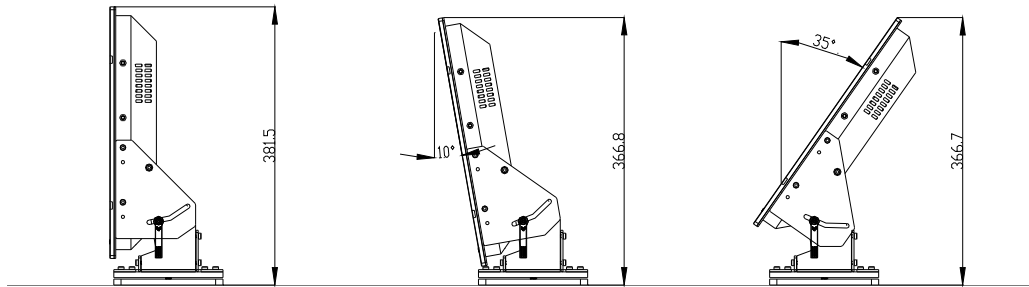
17" Marine Bridge System Display

MBPM-17

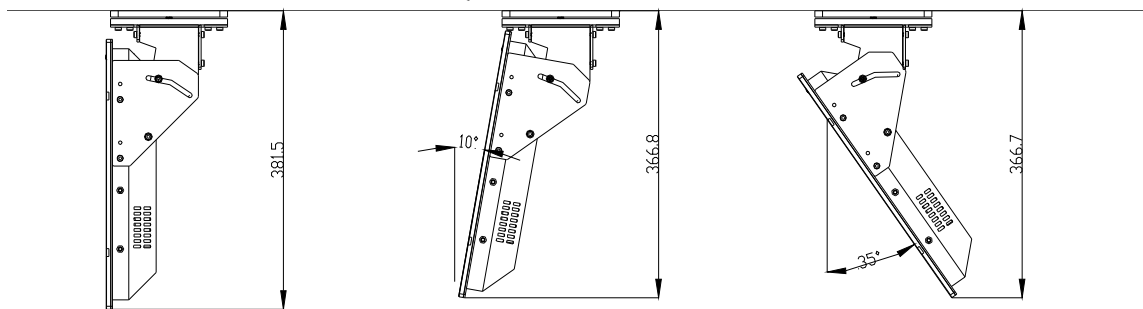
ROOF MOUNT Bracket



STAND MOUNT Bracket + Rotary Bracket



ROOF MOUNT Bracket + Rotary Bracket



Sun Visor Bracket

