

KVM-15AS

1 U Rackmount 15" TFT LCD KVM switch



Features

- Build in keyboard (105 keys) and Touch pad ,Port selection via Pushbutton, Hotkey and OSD
- Integrated KVM console featuring a 17" LCD monitor in 1U high rack mountable Slideaway housing.
- Daisy chain up to 31 additional compatible kvm switch units and control up to 512 computers.
- DDC emulation of the LCD monitor- VGA settings of every connected computer are automatically adjusted for optimal output to the LCD monitor.
- With Key lock
- Internal power built in.
- Free firmware upgrade
- LCD Resolution 15" (1024x768) , support DDC2B

LCD

- Display Type : 15" XGA TFT LCD
- Resolution : 1024x768
- Max.color : 16.2M
- Luminance : 250 cd/m2
- View Angel : 150°(H) , 135°(V)
- Pixel Pitch : 0.297 x 0.297 mm
- Contrast Ratio : 700 : 1
- Response Time : 8 ms
- Power Consumption :11.27W
- LCD MTBF : 50,000hrs

Specifications

Function		KVM-1501/08/16-AS
Computer connections	Direct	1/8/16
	Maximum	512(via Daisy Chain)
Computer port selection		OSD, Hotkey, Pushbutton
Connector	Firmware upgrade	Mini Din 6 Female(Green)
	Power	AC Inlet
	Computer (keyboard / mouse / vga)	SPHD-15 Female (Blue)
Button / Switch	Power Switch	Rock Switch
	LCD adjustment	Button
LED Indicator	online	16(Green)
	selected	16(Orange)
	power	1 (Blue)
	Num Lock	1 (Green)
	Caps Lock	1 (Green)
	Scroll Lock	1 (Green)
Emulation	Keyboard	PS/2
	Mouse	
Resolution	15" LCD	1024x768 @75HZ;DDC2B
Scan Interval		1~255 sec.
Input Rating		100-240VAC;50/60Hz;1A
Power Consumption	15" LCD	30W
Environment	Operating Temperature	0~40°C
	Store Temperature	-20~60°C
	Humidity	0-80% RH,NC

Annso Technology Co.,Ltd

Factory address: The south faces industry area of Xia Gan Fu Hai road, Chang'an Town, Dongguan City, Guangdong, China.

Tel: +86-769-81666360 81666395/96/97

Fax: +86-769-81666306

Web: www.annso.com www.annso.com.cn www.medianice.com Email: Sales@annso.com.cn



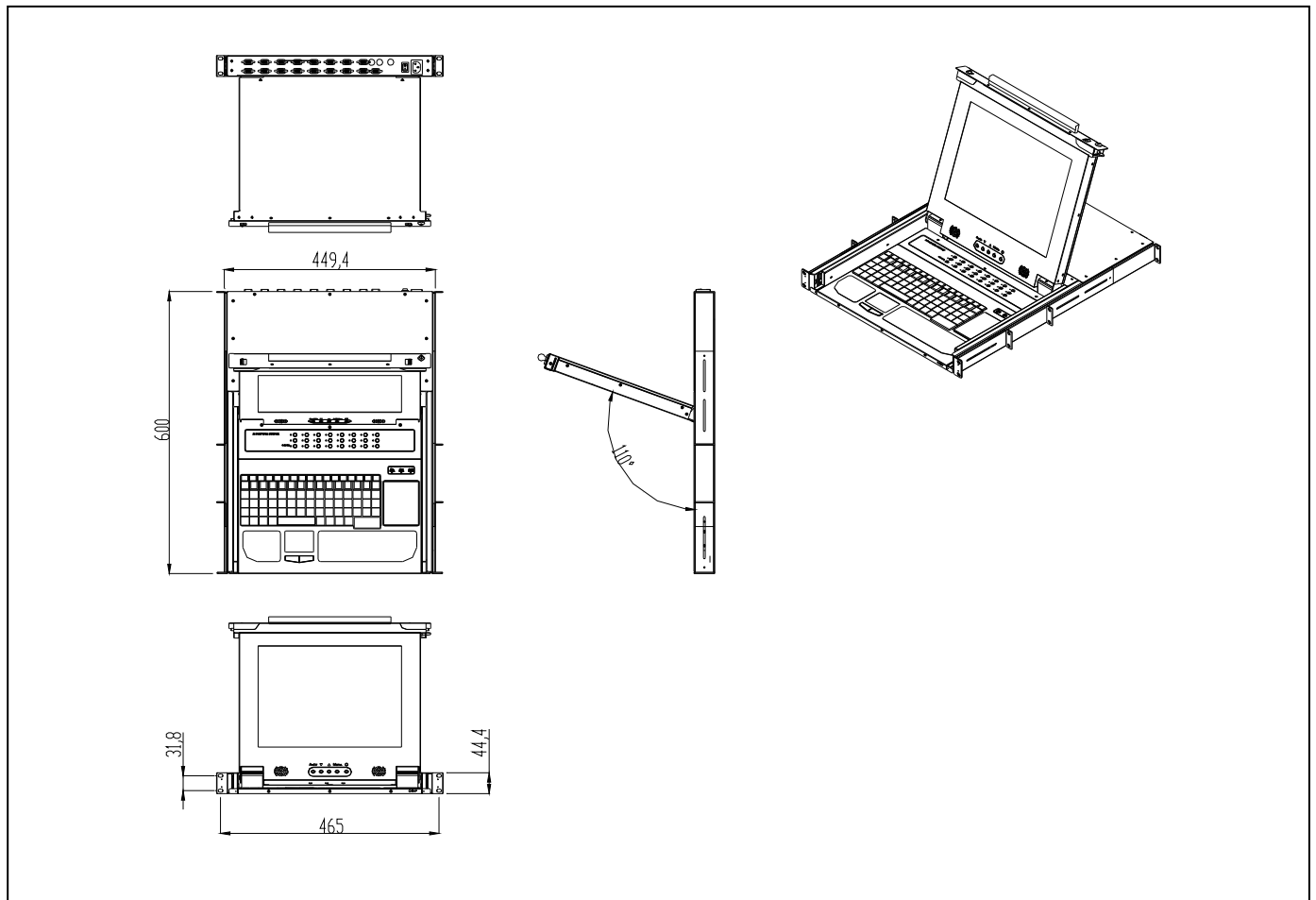
KVM-15AS

Physical Property	Frame	Heavy duty steel
	Weight	15.5KG
	Dimension(W*H*L)	449.4*44.4*600mm

Ordering Information

KVM-1501AS	1U Rackmount 15" TFT LCD w/1 port KVM switch,w/48w power supply
KVM-1508AS	1U Rackmount 15" TFT LCD w/8 port KVM switch, w/48w power supply
KVM-1516AS	1U Rackmount 15" TFT LCD w/16 port KVM switch, w/48w power supply

Dimension Diagram



Annso Technology Co.,Ltd

Factory address: The south faces industry area of Xia Gan Fu Hai road, Chang'an Town, Dongguan City, Guangdong, China.

Tel: +86-769-81666360 81666395/96/97

Fax: +86-769-81666306

Web: www.annso.com www.annso.com.cn www.medianice.com Email: Sales@annso.com.cn

