



10.4" Panel Mount

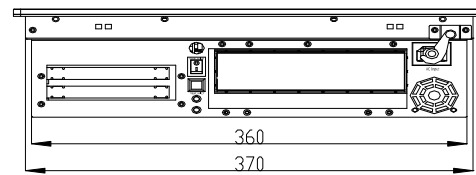
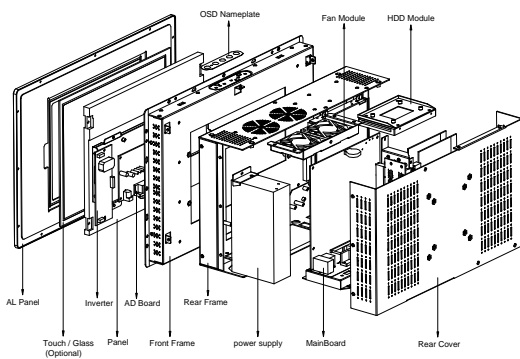
Full Function Industrial Panel PC

IPPC-2710-M2

Features

- On board Intel Atom N270 (1.6GHz) Processor
- 1 x PCI expansion slot , 1x mini PCI-E
- Space for 1 x 2.5" HDD, 1 x slim optical driver
- Analog resistive touch screen (option)
- Front panel NEMA 4/IP65 compliant
- OSD control keys to optimized the display
- Front hardness glass protect screen
- Build in 2 x 2 Watts stereo speaker
- Standard VESA 75/100mm support wall mount and swing arm
- AC 100~240V wide range power input

Design Drawings



DC-Input VGA DVI USB 2.0 LAN Audio

* Unit : mm

Specifications

TFT characteristics

Display Type	: 10.4" XGA TFT LCD
Screen resolution (Pixels)	: 1024 x 768
Brightness	: 400cd/m2
Contrast Ratio	: 1200 : 1
Pixel Size	: 0.0685*0.2055
Max Color	: 16.2MB
Viewing angle(L/R,T/B)	: 88/88, 88/88
Response Time	: 25 ms
LCD MTBF	: 50,000hrs

Available Options

Touch Screen	: Resistive
Wireless LAN	: Meet IEEE802.11b/g standard
Open frame structure	: without front bezel

Mechanical and Environmental

Construction	: Heavy duty steel and aluminum front panel
Operating temperature	: 32 °F~113 °F (0 °C to 45°C)
Storage temperature	: -4 °F~140 °F (-20 °C to 60 °C)
Storage humidity	: 10% to 90% non-condensing
Vibration	: 17 to 500HZ 1G PTP
Shock	: 1G /peak (11m sec)
Dimensions (WxHxD)	: 390 x 260 x 118 mm
Weight	: Net: 9kg , Gross: 10.5 kg

System Characteristics

Processor	: on board Intel Atom N270(1.6GHz)processor with 533MHz FSB
Chipset	: Intel 945GSE+ ICH7M
Memory	: 1x 200pin SODIMM,Max.2GB DDR2 533/667/800MHz
Graphic	: Intel GMA950 (224M shared)
Storage	: Space for 1x 2.5" HDD (SATA)
Optical device	: Space for slim type CDROM/DVDROM/Combo (DVD+CDRW)DVD±RW
Ethernet	: 1 x Giga Lan
VGA port	: 1 x VGA Connector (reserved for LCD screen)
DVI port	: 1 x DVI connector
Audio	: Realtek ALC662 build in 2x 2 watts stereo speaker
USB Port	: 3 x USB 2.0
Serial Port	: 2 x RS-232
Expansive Slot	: 1 x PCI , 1x mini PCI-E

Power Specifications

Input	: 115~230V AC, 50/60Hz
Output	: ATX 220W with active PFC +5V@ 13 A , +12V@ 16A

Certification and Approvals

- CE/FCC/ROHS



10.4" Panel Mount

Full Function Industrial Panel PC

IPPC-2710-M2

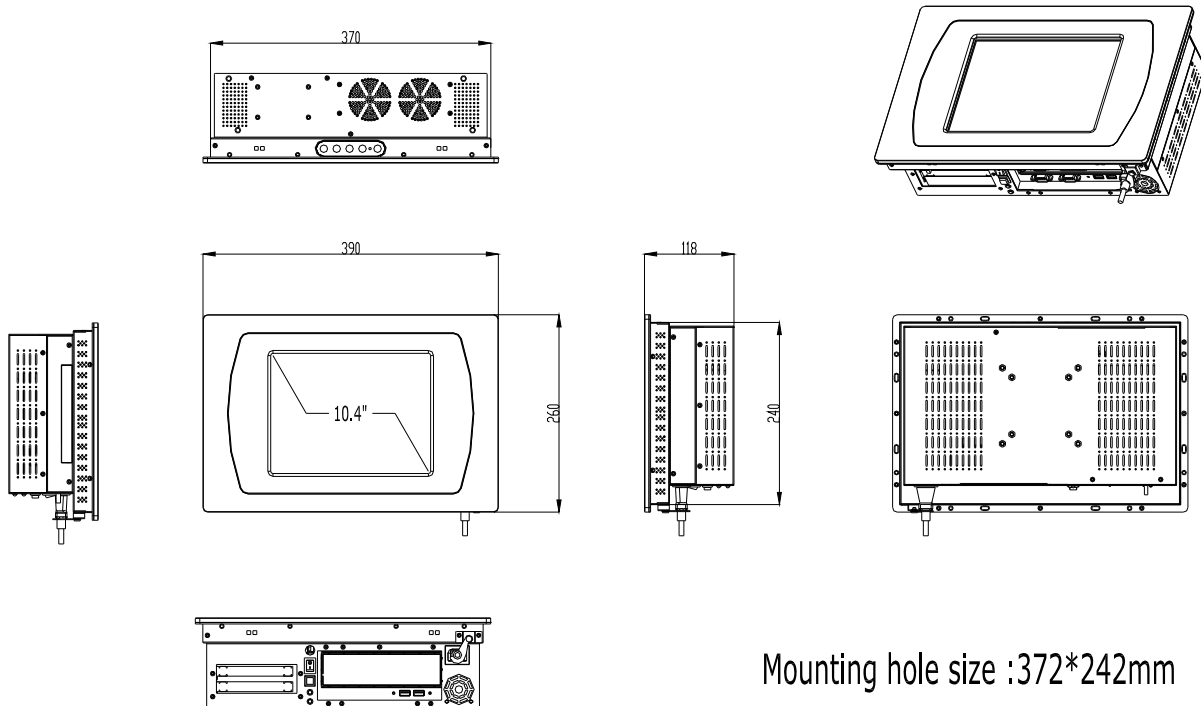
Ordering Information

IPPC-2710-M2-220X : 10.4" Intel Atom N270 1.6GHz Industrial Panel PC, with 220W Power Supply

IPPC-2710T-M2-220X : 10.4" Intel Atom N270 1.6GHz Industrial Panel PC, with 220W Power Supply and resistive touch screen

Design Drawings

Front IP65 compliant



Mounting hole size : 372*242mm

* Unit : mm



10.4" Panel Mount Full Function Industrial Panel PC

OPPC-2710-M2

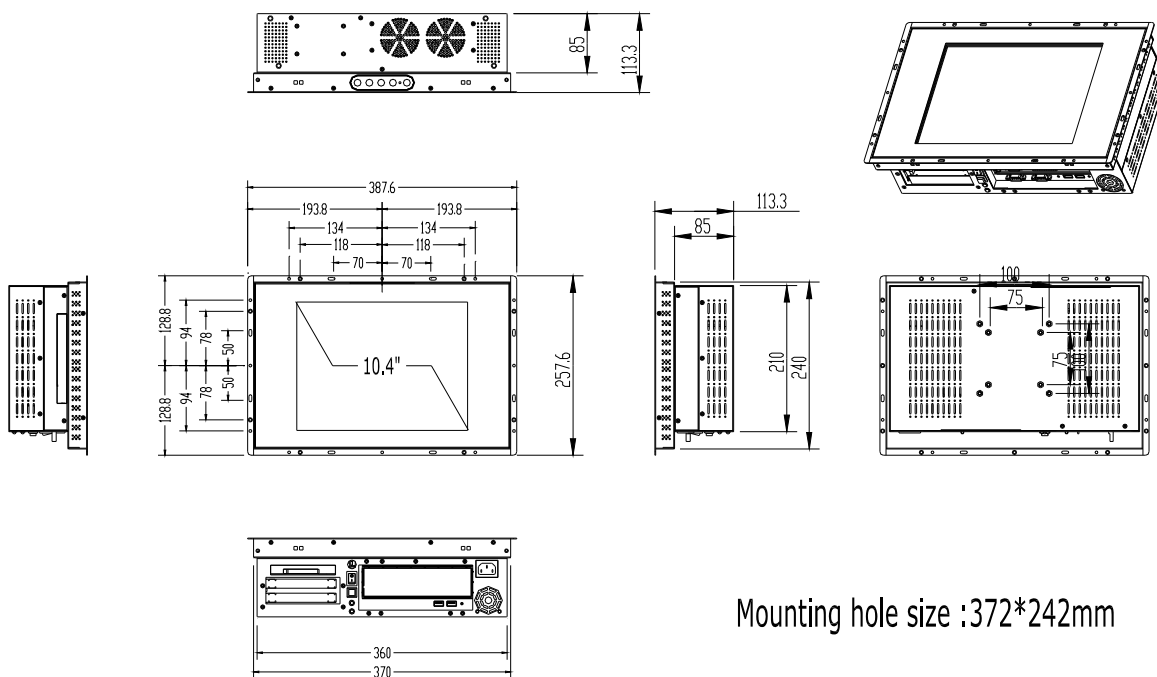
Ordering Information

OPPC-2710-M2-220X : 10.4" Intel Atom N270 1.6GHz open frame Industrial Panel PC, with 220W Power Supply

OPPC-2710T-M2-220X : 10.4" Intel Atom N270 1.6GHz open frame Industrial Panel PC, with 220W Power Supply and resistive touch screen

Design Drawings

Open Frame



Mounting hole size :372*242mm

* Unit : mm