



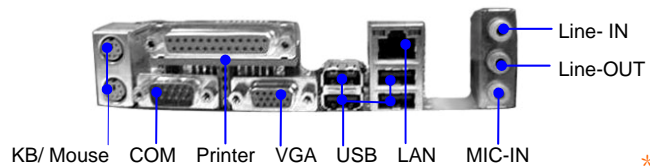
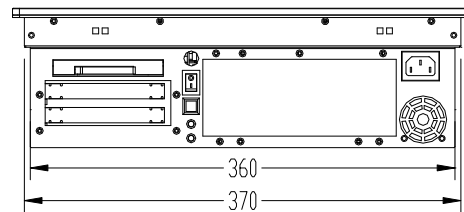
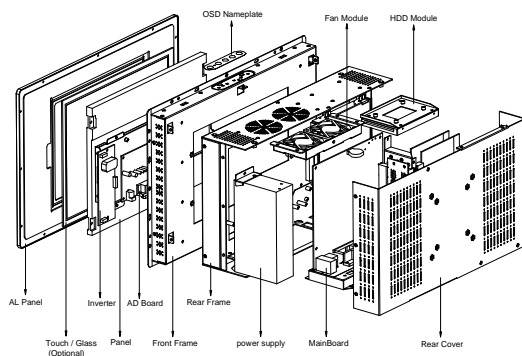
# 12.1" Panel Mount Full Function Industrial Panel PC

## IPPC-2312-M1

### Features

- On board Intel Atom 230 ( 1.6GHz ) Processor
- 1 x PCI expansion slot
- Space for 1 x 2.5" HDD, 1 x slim optical driver
- Analog resistive touch screen (option)
- Front panel NEMA 4/IP65 compliant
- OSD control keys to optimized the display
- Front hardness glass protect screen
- Build in 2 x 2 Watts stereo speaker
- Standard VESA 75/100mm support wall mount and swing arm
- AC 100~240V wide range power input

### Design Drawings



\* Unit : mm

### Specifications

#### TFT characteristics

Display Type	: 12.1" SVGA TFT LCD
Screen resolution (Pixels)	: 800 x 600
Brightness	: 400cd/m2
Contrast Ratio	: 500 : 1
Pixel Size	: 0.3075*0.3075
Max Color	: 262K
Viewing angle(L/R,T/B)	: 65/65 ,50/60
Response Time	: 25 ms
LCD MTBF	: 50,000hrs

#### Available Options

Touch Screen	: Resistive
Wireless LAN	: Meet IEEE802.11b/g standard
Open frame structure	: without front bezel

#### Mechanical and Environmental

Construction	: Heavy duty steel and aluminum front panel
Operating temperature	: 32 °F~113 °F (0 °C to 45°C)
Storage temperature	: -4 °F~-140 °F (-20 °C to 60 °C)
Storage humidity	: 10% to 90% non-condensing
Vibration	: 17 to 500HZ 1G PTP
Shock	: 1G /peak ( 11m sec)
Dimensions ( WxHxD )	: 390 x 260 x 118 mm
Weight	: Net: 9.5 kg, Gross: 12.5 kg

#### System Characteristics

Processor	: on board Intel Atom 230(1.6GHz) processor with 533MHz FSB
Chipset	: Intel 945GC + ICH7
Memory	: 1x 240pin DIMM,Max.2GB DDR2 533/667MHz
Graphic	: Intel GMA950
Storage	: Space for 1x 2.5" HDD ( SATA )
Optical device	: Space for slim type CDROM/DVDROM/Combo (DVD+CDRW)DVD±RW
Ethernet	: 1 x 10/100 Base-T Ethernet
VGA port	: 1 x VGA Connector ( reserved for LCD screen )
Audio	: Realtek ALC662 build in 2x 2 watts stereo speaker
USB Port	: 6 x USB 2.0
Serial Port	: 1 x RS-232
KB/MS	: 2 x PS2
Parallel Port	: 1 x DB25 connector
Expansive Slot	: 1 x PCI

#### Power Specifications

Input	: 115~230V AC, 50/60Hz
Output	: ATX 220W with active PFC +5V@ 13 A , +12V@ 16A

#### Certification and Approvals

- CE/FCC/ROHS



# 12.1" Panel Mount Full Function Industrial Panel PC

## IPPC-2312-M1

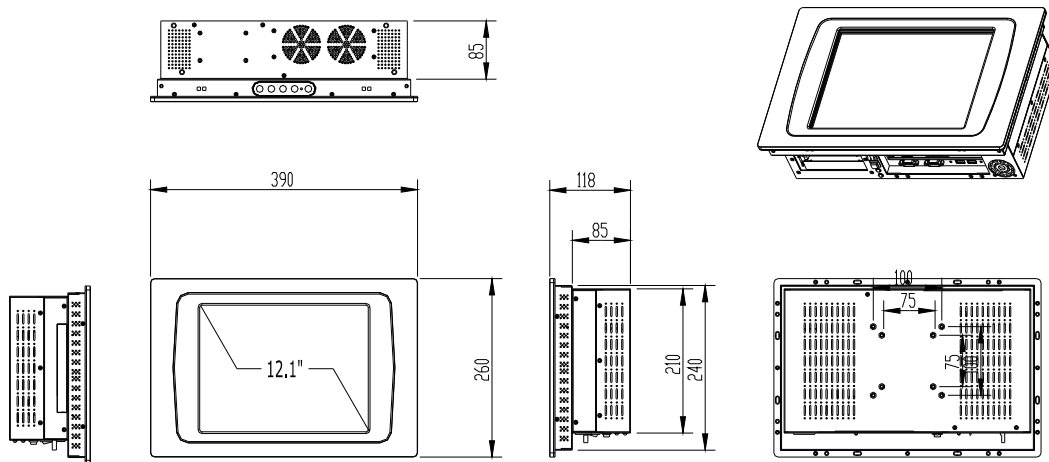
### Ordering Information

IPPC-2312-M1-220X : 12.1" Intel Atom 230 1.6GHz Industrial Panel PC, with 220W Power Supply

IPPC-2312T-M1-220X : 12.1" Intel Atom 230 1.6GHz Industrial Panel PC, with 220W Power Supply and resistive touch screen

### Design Drawings

Front IP65 compliant



\* Unit : mm



# 12.1" Panel Mount Full Function Industrial Panel PC

## OPPC-2312-M1

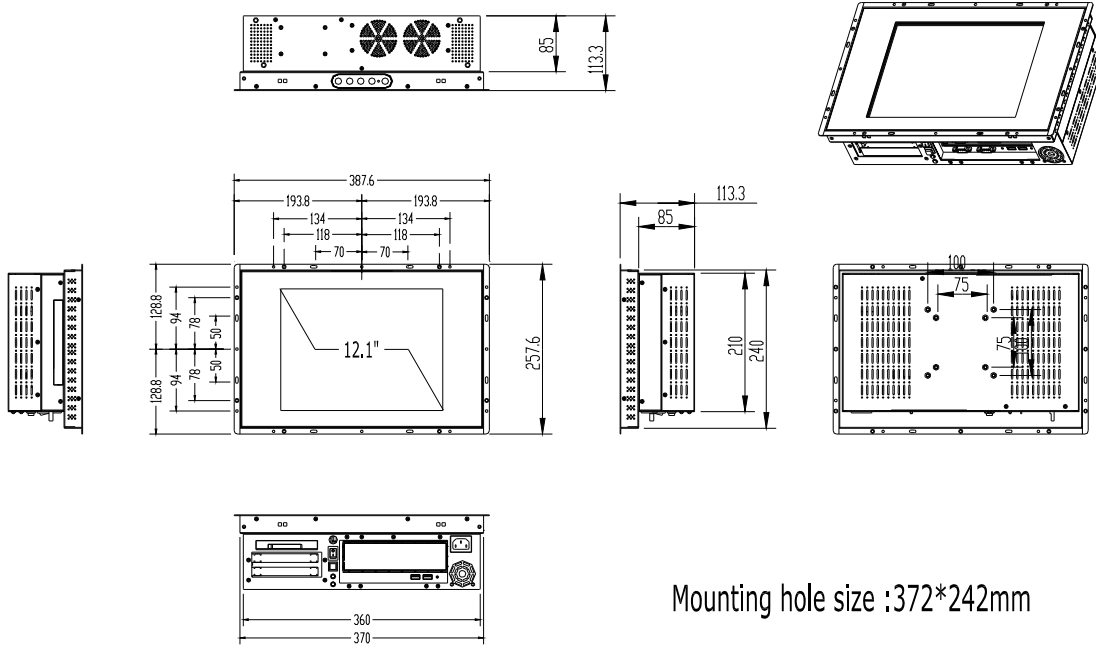
### Ordering Information

OPPC-2312-M1-220X : 12.1" Intel Atom 230 1.6GHz open frame Industrial Panel PC, with 220W Power Supply

OPPC-2312T-M1-220X : 12.1" Intel Atom 230 1.6GHz open frame Industrial Panel PC, with 220W Power Supply and resistive touch screen

### Design Drawings

#### Open Frame



Mounting hole size :372\*242mm

\* Unit : mm