

## Features

- 20.1" SVGA TFT LCD Panel support 800 x 600 pixels
- Open frame structure with strengthen glass
- Rugged construction design
- Input signal: VGA + DVI + Audio
- 500 cd/m2 brightness
- OSD control keys to optimize the display

- Built in 2x 2 Watts stereo speaker
- AC 100-240V wide range external ac adapter
- Panel mounting with clip
- Meet standard VESA hole (75x75 and 100x100 mm), support desk top stand / wall mount / swing arm mounting

## Optional

- Video input ( S-Video , Composite input )
- DC power input ( 8 -30V dc input )
- Touch Screen

## Specifications

LCD Panel	Display Type: 20.1" SVGA TFT LCD Screen resolution (Pixels): 800*600 Brightness: 500 nits Contrast Ratio: 500: 1 Pixel Size: 0.51*0.51 Maximum Color: 16.7M Viewing angle (L/R , U/D ): 80/80 ,60/60 Response Time: 16ms Power Consumption: 26.4 Watts MTBF: 50,000 hrs.
Signal input	VGA ( 15 pin D-sub connector )+ DVI ( DVI-D connector ) + audio input ( audio jack )
Protect glass	3 mm strengthen glass
Speaker	Built-in 2x stereo speakers (2w)
OSD	Brightness, Contrast, H/V Position, Color, Phase, Clock, auto tune and recall
Touch Screen ( optional )	Internal USB or RS-232 interface controller Type: Surface Acoustic Wave touch Touch Resolution: Above 2048 x 2048 Light transmission: 90% or more Power consumption:4.9~5.1V Surface hardness : 7H Response Time: Max. 50ms Life expectancy : 50 Million Operation system : Window 98 / 2000 / ME / XP / NT / CE, DOS , Linux
Signal connectivity ( optional )	AV input (S-Video ,RCA )
DC power input ( optional )	Wide range DC 8V-30V input
Power Supply	Input: 100~240VAC,50/60Hz Output: DC12V@ 5A /60W ,external ac adapter
Construction	Heavy duty steel chassis
Environment	Operating temperature: 0 °C to 50 °C

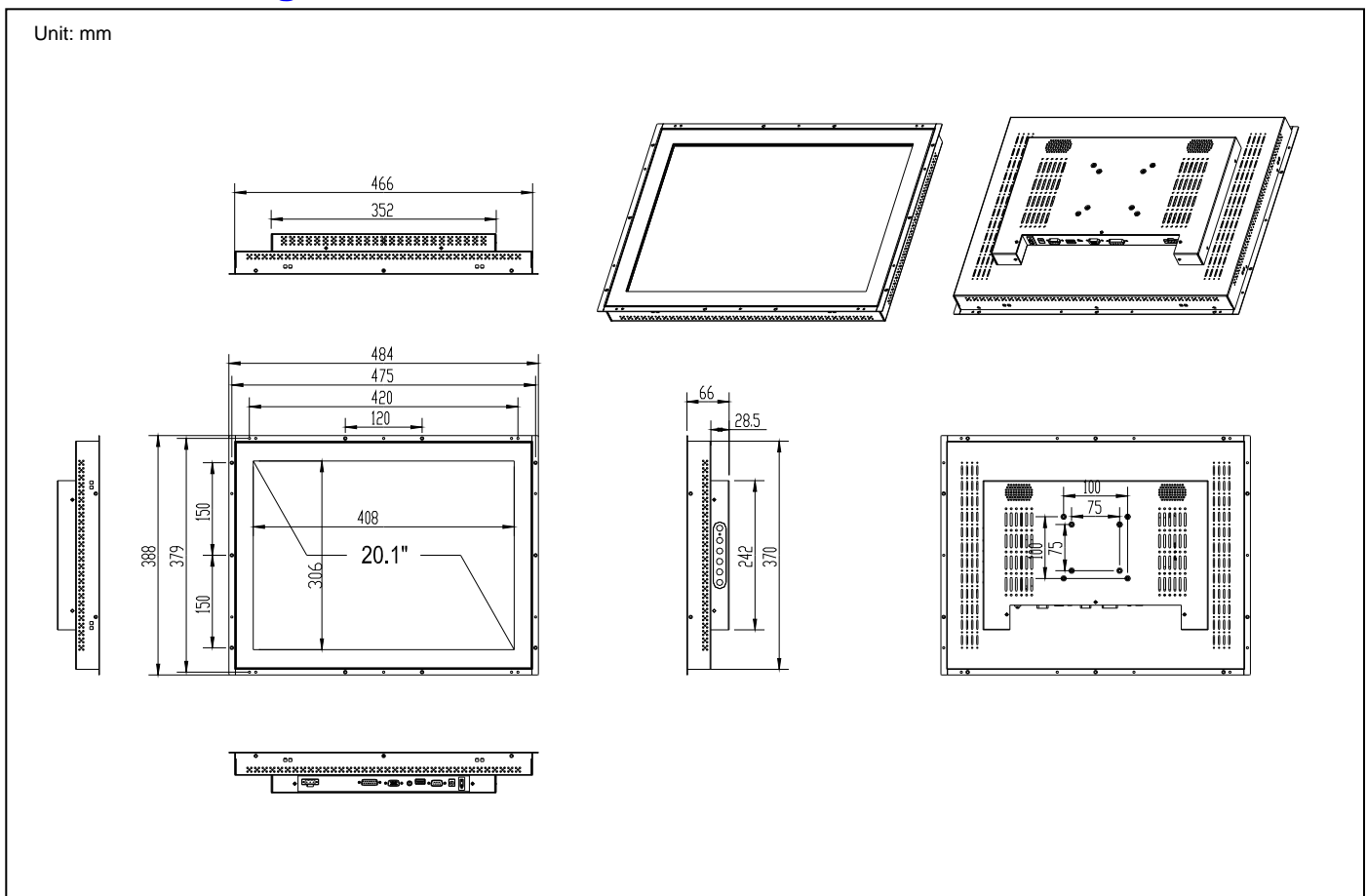
# IPMBX-20-M1

	Storage temperature: -20 °C to 60 °C Storage humidity: 10% to 90%non-condensing Vibration: 17 to 500HZ 1G PTP Shock: 1G /peak ( 11m sec)
Safety	CE/FCC/ RoHS
Dimension W x H x D (mm)	484 x 388 x 66
Packing Dimension W x H x D (mm)	600 x 505 x 210
Weight (kg)	Net: 9.2    Gross : 11.7

## Ordering Information

VGA Input	
<b>IPMBX-20-M1</b>	20.1" Industrial Open Frame Flat Panel Monitor with VGA + DVI input
<b>IPMBX-20-M1RTU</b>	20.1" Industrial Open Frame Flat Panel Monitor with VGA + DVI input, with touch screen and USB controller
<b>IPMBX-20-M1RTC</b>	20.1" Industrial Open Frame Flat Panel Monitor with VGA + DVI input, with touch screen and RS-232 controller
AV Input	
<b>IPMBX-20-M1A</b>	20.1" Industrial Open Frame Flat Panel Monitor with VGA + S-Video + AV input
<b>IPMBX-20-M1ARTU</b>	20.1" Industrial Open Frame Flat Panel Monitor with VGA + S-Video + AV input, with touch screen and USB controller
<b>IPMBX-20-M1ARTC</b>	20.1" Industrial Open Frame Flat Panel Monitor with VGA + S-Video + AV input, with touch screen and RS-232 controller
<b>DC-PW</b>	DC 8V-30V input Power module

## Dimension Diagram



## Annso Technology Co.,Ltd

Factory address: The south faces industry area of Xia Gan Fu Hai road, Chang'an Town, Dongguan City, Guangdong, China.

Tel: +86-769-81666360 81666395/96/97

Fax: +86-769-81666306

Web: [www.anso.com](http://www.anso.com) [www.anso.com.cn](http://www.anso.com.cn)

Email: [Sales@anso.com.cn](mailto:Sales@anso.com.cn)

