

Features

- 6.5" VGA TFT LCD Panel support 640 x 480 pixels
- Open frame structure with strengthen glass
- Rugged construction design
- Input signal: VGA + Audio
- 500 cd/m2 brightness
- OSD control keys to optimize the display

- Build in 2x 2 Watts stereo speaker
- AC 100-240V wide range external ac adapter
- Panel mounting with clip
- Meet standard VESA hole (75x75 mm), support desk top stand / wall mount / swing arm mounting

Optional

- Video input (S-Video , Composite input)
- Touch Screen

Specifications

LCD Panel	Display Type: 6.5" VGA TFT LCD Screen resolution (Pixels): 640*480 Brightness: 500 nits Contrast Ratio: 450: 1 Pixel Size: 0.069*0.207 Maximum Color: 16.2M Viewing angle (L/R , U/D): 70/70 ,60/60 Response Time: 26ms Power Consumption: 4.5 Watts MTBF: 50,000 hrs.
Signal input	VGA (15 pin D-sub connector) + audio input (audio jack)
Protect glass	3 mm strengthen glass
Speaker	Built-in 2x stereo speakers (2w)
OSD	Brightness, Contrast, H/V Position, Color, Phase, Clock, auto tune and recall
Touch Screen (optional)	Internal USB or RS-232 interface controller Type: Analog resistive type : 25VDC ≥ 20MΩ Resolution: continuous Light transmission: 80% or more Power consumption:<5V @1mA Surface hardness : 3H Operating force : ≤100g Life expectancy : 35 Million Operation system : Window 98 / 2000 / ME / XP / NT / CE, DOS , Linux
Signal connectivity (optional)	AV input (S-Video ,RCA)
Power Supply	Input: 100~240VAC,50/60Hz Output: DC12V@ 4A /48W ,external ac adapter
Construction	Heavy duty steel chassis
Environment	Operating temperature: 0 °C to 50 °C Storage temperature: -20 °C to 60 °C

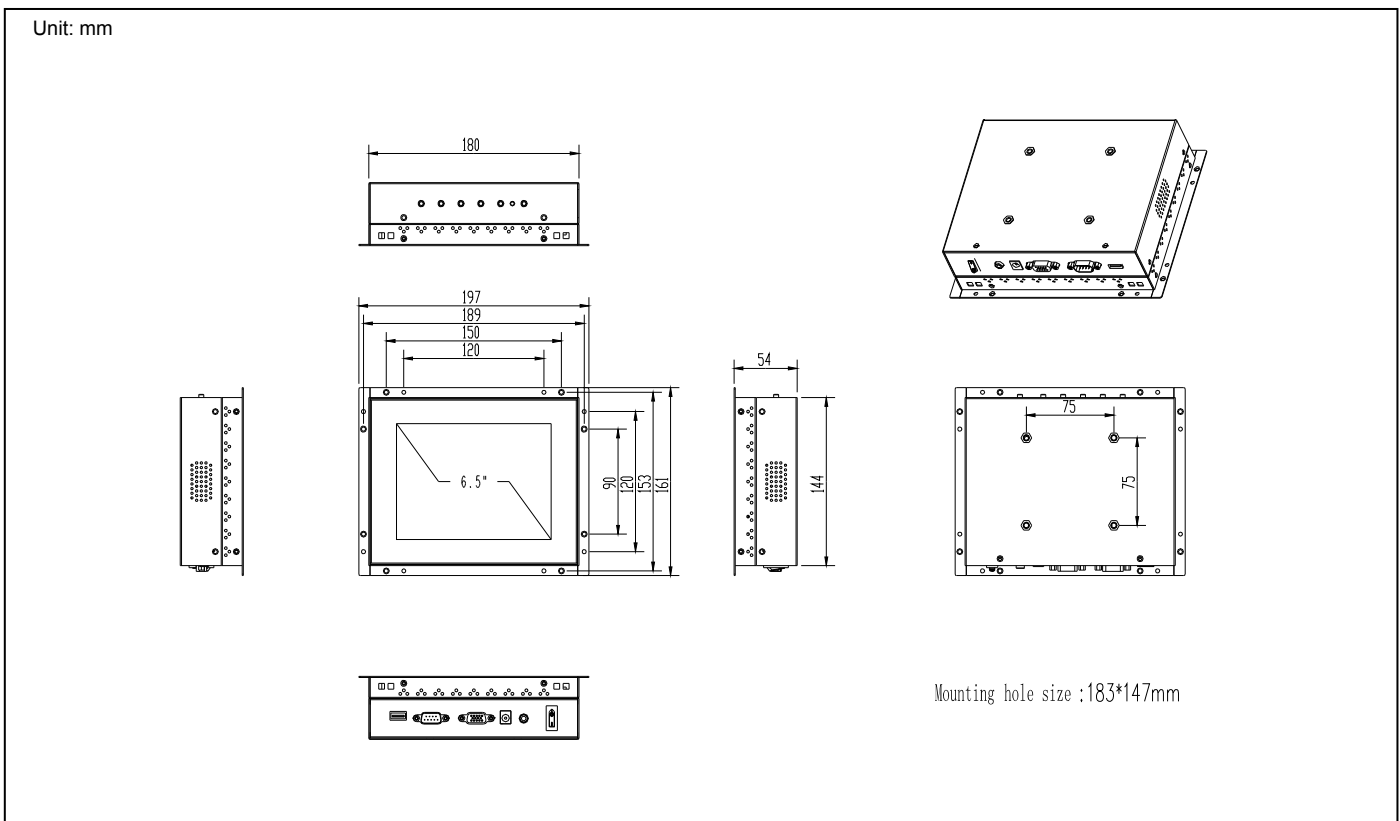
IPMBX-065

	Storage humidity: 10% to 90%non-condensing Vibration: 17 to 500HZ 1G PTP Shock: 1G /peak (11m sec)
Safety	CE/FCC/ RoHs
Dimension W x H x D (mm)	197 x 161 x 54
Packing Dimension W x H x D (mm)	311 x 275 x 210
Weight (kg)	Net : 2.7 Gross : 4.8

Ordering Information

VGA Input	
IPMBX-065	6.5" Industrial Open Frame Flat Panel Monitor with VGA input
IPMBX-065RTU	6.5" Industrial Open Frame Flat Panel Monitor with VGA input, with touch screen and USB controller
IPMBX-065RTC	6.5" Industrial Open Frame Flat Panel Monitor with VGA input, with touch screen and RS-232 controller
AV Input	
IPMBX-065A	6.5" Industrial Open Frame Flat Panel Monitor with VGA + S_Video + AV input
IPMBX-065ARTU	6.5" Industrial Open Frame Flat Panel Monitor with VGA + S_Video + AV input, with touch screen and USB controller
IPMBX-065ARTC	6.5" Industrial Open Frame Flat Panel Monitor with VGA + S_Video + AV input, with touch screen and RS-232 controller

Dimension Diagram



Annso Technology Co.,Ltd

Factory address: The south faces industry area of Xia Gan Fu Hai road, Chang'an Town, Dongguan City, Guangdong, China.

Tel: +86-769-81666360 81666395/96/97

Fax: +86-769-81666306

Web: www.annso.com www.annso.com.cn

Email: Sales@annso.com.cn

