

# ***Industrial Workstation***



## ***User's Manual***

# Table Of Contents

## Safety Precautions

Important safety Instructions .....	2
-------------------------------------	---

## CHAPTER1.

1.0 General Information .....	3
1.1 Features .....	3
1.2 Product package .....	3

## CHAPTER2.

2.0 Product layout .....	4
2.1 Install mainboard .....	5
2.2 Install HDD and CD-ROM .....	6
2.3 connect VGA / Keyboard / mouse cable .....	6

## CHAPTER3.

3.0 Operation .....	7
3.1 Power LED Indicator .....	7
3.2 OSD control keys .....	7

## CHAPTER4.

4.1 Cable pin assignment .....	8
--------------------------------	---

# Important safety Instructions

Please read the following instructions carefully. This manual should be retained for future use.

1. Unplug the monitor from the power source when you clean the monitor. Don't use liquid cleaners or aerosol cleaners. Use soft cloth only, If it's not available, please consult hardware retailer for cleaning information.
2. Do not place you monitor near a window. Exposing the Monitor to rain, water, moisture or sunlight may severely damage the display.
3. Do not apply pressure to the monitor. Excessive pressure may Cause permanent damage to the display.
4. Avoid dropping and strong impact.
5. Do not remove the cover or attempt to repair this unit by yourself, as the warranty may be void Servicing of any nature should be Performed only by an authorized technician.
6. Safe storage of the LCD Product is in the range of -4°F to 140°F ( -20°C TO +60°C ) . Storing you LCD Product beyond this range may result in permanent damage.
7. Do not overload electrical outlets or extension cords as this can result in fire or electric shock.
8. Do not use or store in dusty, dirty areas
9. If any of the following occurs , immediately unplug your power cord and Call an technician. Authorized.
  - The power cord is frayed or damaged.
  - Liquid has been spilled onto the LCD Screen, or it has been exposed to rain.
  - The LCD monitor has been dropped or the case has been damaged.

# CHAPTER 1

## 1.0 General Information

This is a 4U Rackmount Workstation with an 8" LCD display and built-in slim keyboard and Touchpad drawer. This workstation is a fully-functional and cost-effective industrial automation controller . the built-in VGA a/d board ensures that the system is compatible with a variety of single board computers from most vendors, the front panel OSD controller allows users to move the LCD into the best position for any environment. tow USB ports, and status indicator by front viewable LED indicator, this workstation can be applied to various industrial projects,

## 1.1 Features

- Compact 4U high Rack Mount workstation,
- Front 8" TFT LCD display and built-in slim keyboard and Touchpad drawer,
- Shock-resistant Drive Bay to hold Two 5.25" CD-ROM,One 3.5"FDD(External)and one 3.5"HDD(Internal),
- Flexible mechanical design supports STD PS2 or Redundant power supply,
- Two USB Accessible from the front door,
- Support ATX MB form factor(9.6"×12"),
- Power status indicator by front viewable LED indicator,

## 1.2 Product package

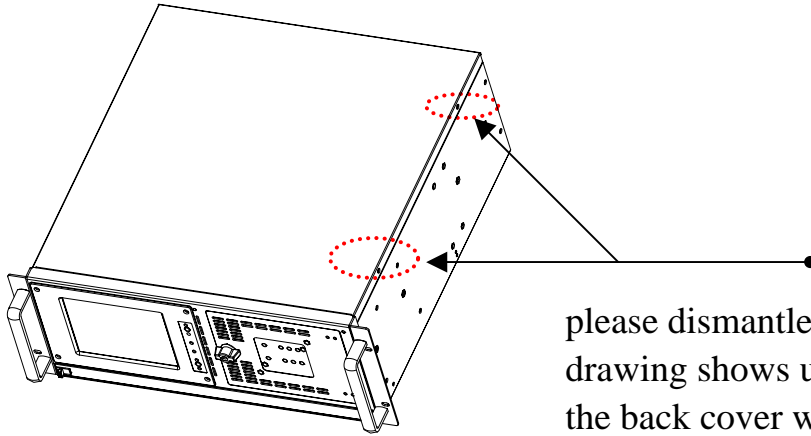
Open the shipping carton and check the contents. If any items are missing or damaged, contact your dealer immediately. The package should include the following items

Accessory Box:

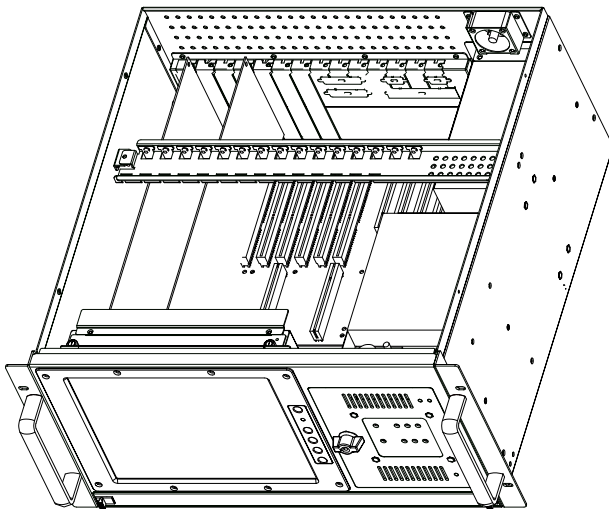
1. ATX 20pin adapter cable x 1
2. VGA CABLE X 1
3. keyboard cable x 1
4. mouse cable X1
5. Handle X 2
6. Copper stud X 20
7. Screw

# CHAPTER2

## 2.0 PRODUCT LAYOUT

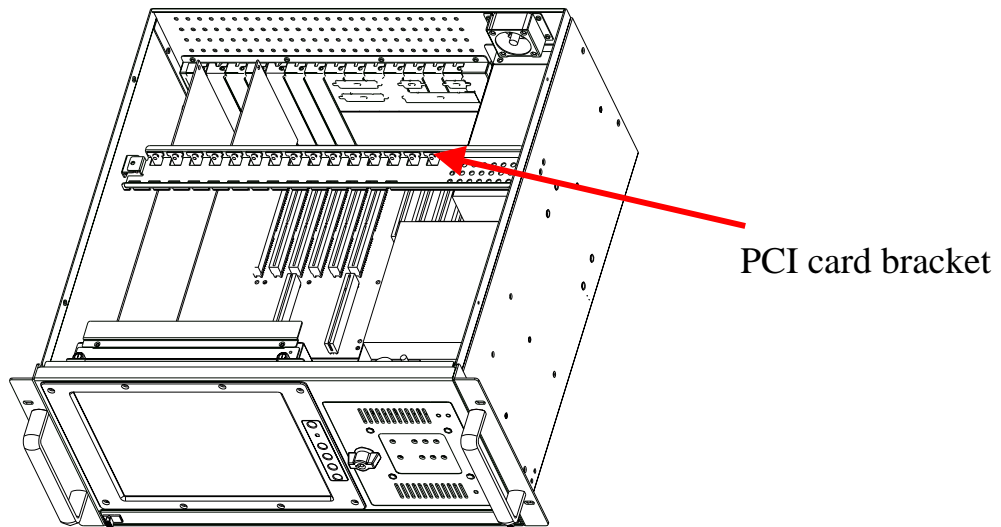


please dismantle the four screws as the drawing shows using the screw driver then the back cover will open as follows

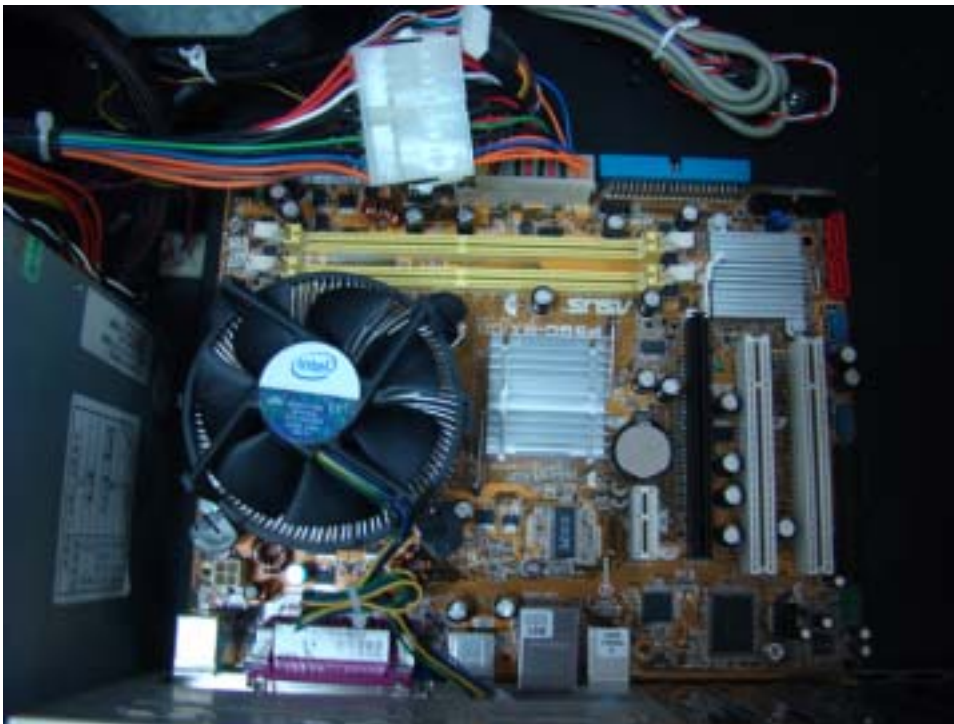


## 2.1 Install mainboard

2.1.1 dismantle The pcicard bracket as follows

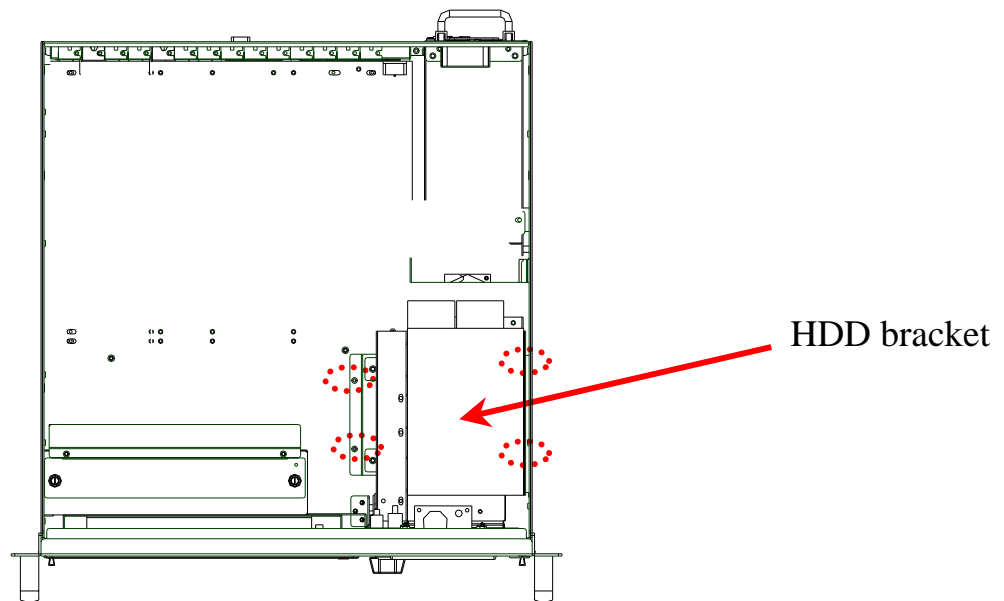


2.1.2 Install mainboard and connect power cable as follows



## 2.2 Install HDD and CD-ROM

2.2.1 dismantle the screws with a screwdriver in counter-clock direction. HDD bracket as follows



## 2.3 connect VGA / Keyboard / mouse cable

2.3.1 Take the VGA . keyboard and mouse cable out from accessory box as follows:



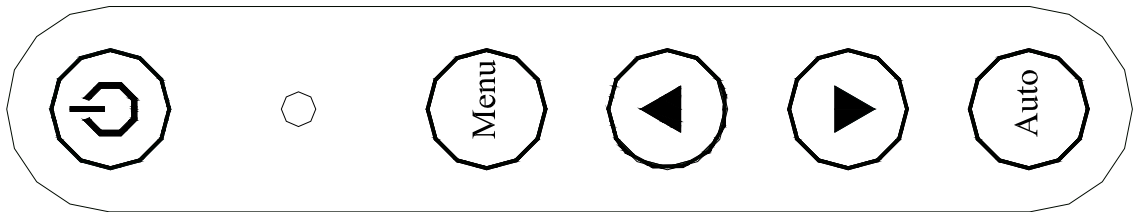
# CHAPTER3

## 3. Operation

OSD Control Panel

### 3.1 Power LED Indicator

When the monitor is working, the power LED is green.



### 3.2 OSD Control key

#### 3.2.1



press the power switch key to turn ON or OFF monitor power, NOT a system power switch.

#### 3.2.2 Menu Key

Press the Menu key to activate the on screen display. It is a toggle key. After 30 sec idle time, the OSD screen will automatically turn off. Press twice to turn on Confirmation key, which will bring up the menu and complete the confirmation function

#### 3.2.3 ▲ Key

This button has multiple functions including navigating up or volume up that can be set to select function in the menu. The adjustment value can be set directly by pressing "▲".

#### 3.2.4 ▼ Key

This button has multiple functions including navigating down or volume down that can be set to select function the menu. The adjustment value can be set directly by pressing "▼".

#### 3.2.5 Auto Key

press the auto key to adjust screen colour and position

# CHAPTER4

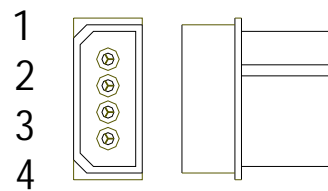
## 4.1 Cable pin assignment

### 4.1.1 USB cable pin assignment



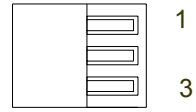
Pin	Description
1	VCC
2	Data-
3	Data+
4	GND

### 4.1.2 LCD Power cord pin assignment



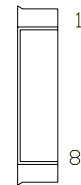
Pin	Description
1	+12V
2	GND
3	N/C
4	N/C

### 4.1.3 FAN Power cord pin assignment



Pin	Description
1	GND
2	+12V
3	detect speed

### 4.1.4 Power supply cable pin assignment



Pin	Description
1	GND
2	N/C
3	+5SB
4	+3.3V
5	-12V
6	-5V
7	+12V
8	+5V