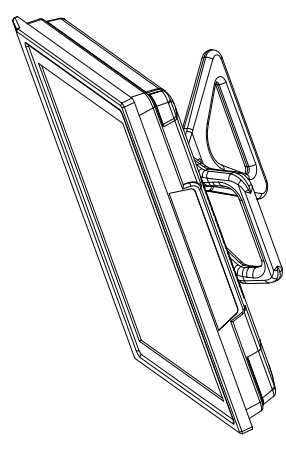
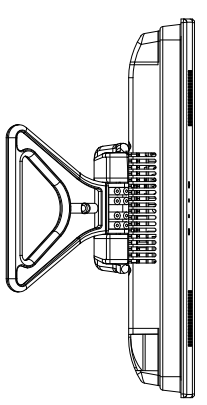
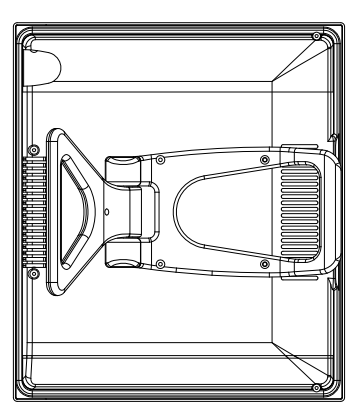
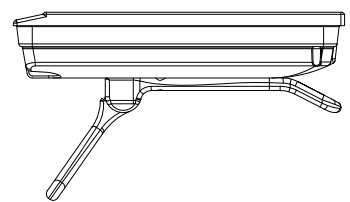
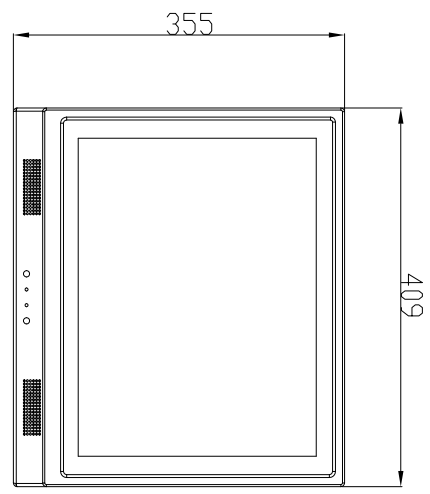
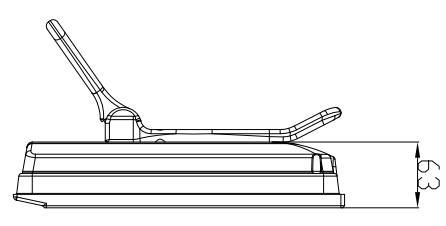
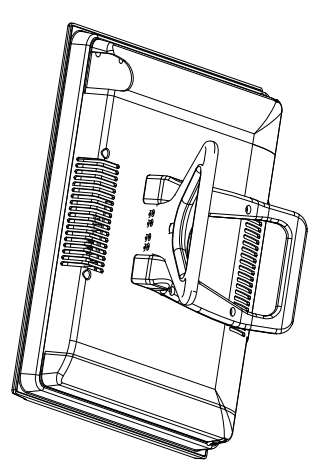
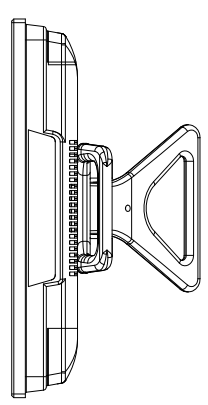


1 2 3 4 5 6 7 8



MARK	DESCRIPTION	SING	DATE
△			
△			
△			

注意：  
 1. 所有工件必须用毛刺 去除刀磨。  
 2. 所有线性尺寸按GB1804-M级。  
 3. Finish: Coating (Spec. See Sample)

TOL	< 30 30 < 120 120 < 315 315 <	±0.1 ±0.15 ±0.2 ±0.3	UNIT : mm	FINISHING	PART NO.	Ver.
ANGLE TOL	±0.5°		3RD ANGLES	MATERIAL	MOLD NO.	Qty
				APPROVED	TITLE	
				CHECKED	DRAWING NO.	DF-1751-3023V
				DESIGNED	SIZE	A3
				DRAWN	SCALE	1:0
					SHEET	1 OF 1

