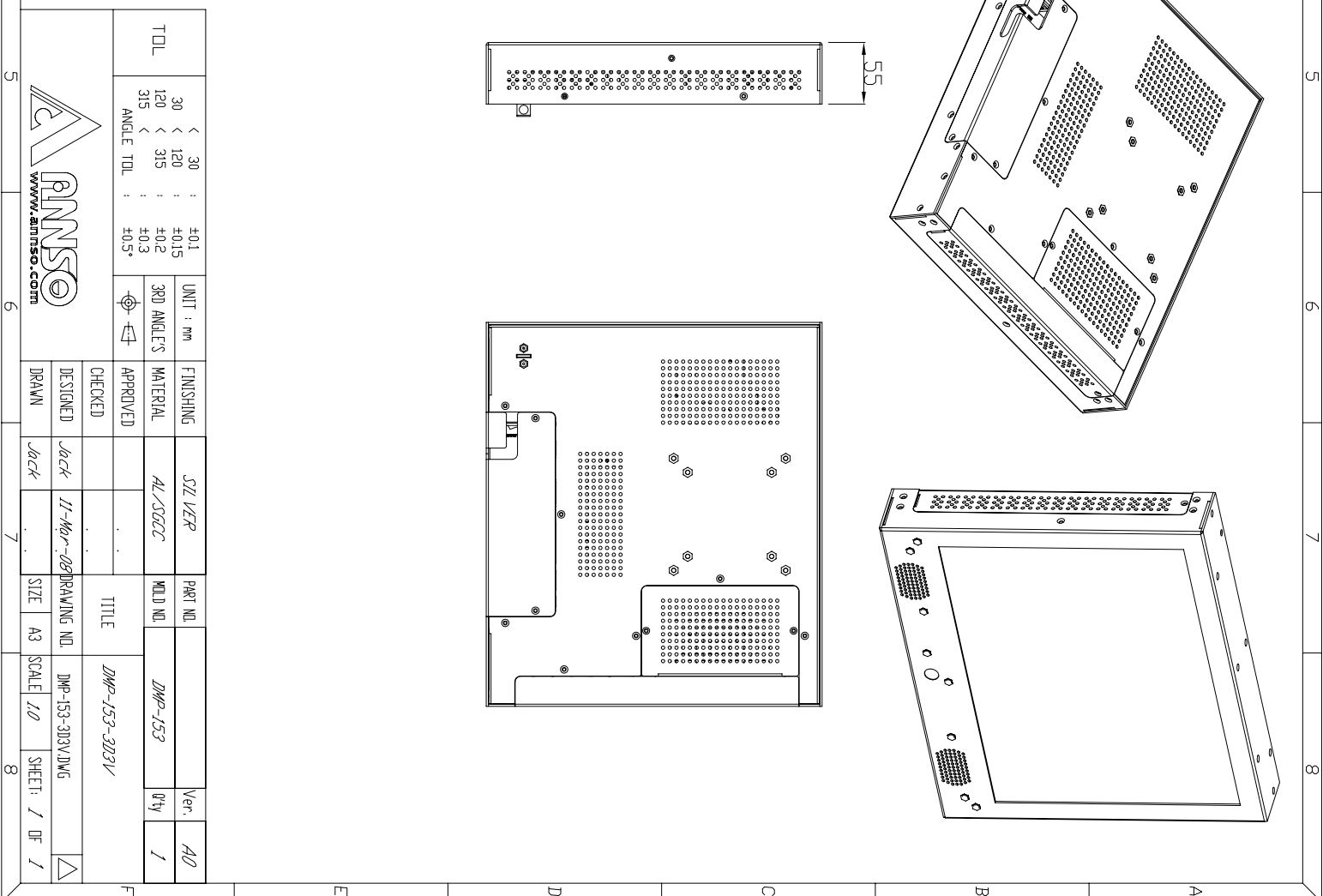
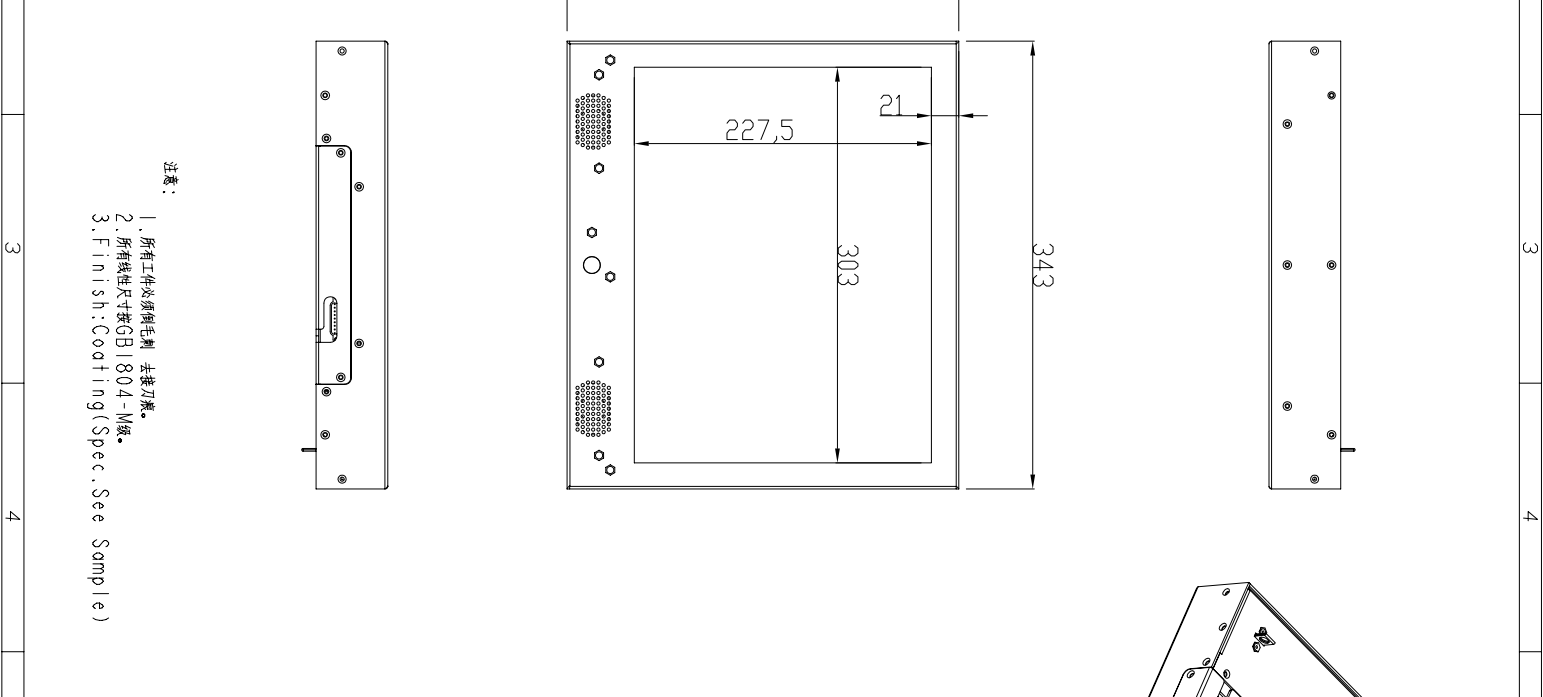


MARK	DESCRIPTION	SING	DATE
△			
△			
△			



注意：
 1. 所有工件必须倒毛刺 去接刀痕。
 2. 所有线性尺寸按GB1804-M级。
 3. Finish: Coating (Spec. See Sample)

TOL	< 30 30 < 120 120 < 315 315 <	: ±0.1 : ±0.15 : ±0.2 : ±0.3	UNIT : mm	FINISHING	SIZE/EP	PART NO.	Ver.
ANGLE TOL	: ±0.5°		3RD ANGLES	MATERIAL	AL/506CC	MOLD NO.	DMP-153
CHECKED			APPROVED			TITLE	DMP-153-3231V
DESIGNED	Jack		DRAWN	Jack		DRAWING NO.	DMP-153-3231V.DWG
SIZE	A3		SCALE	1:1		SHEET	1 OF 1

