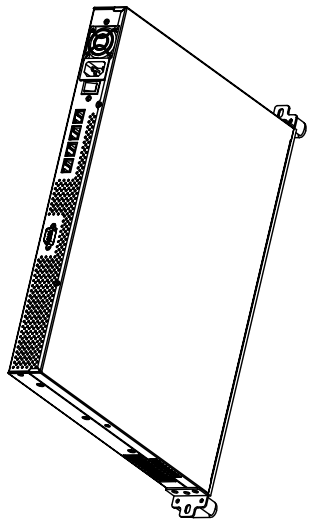
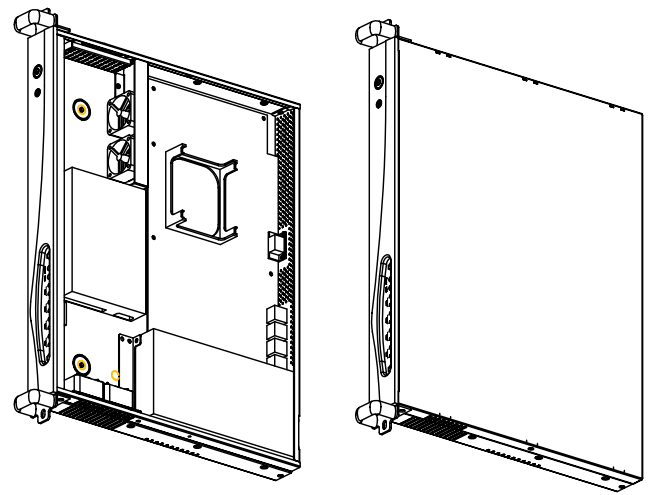
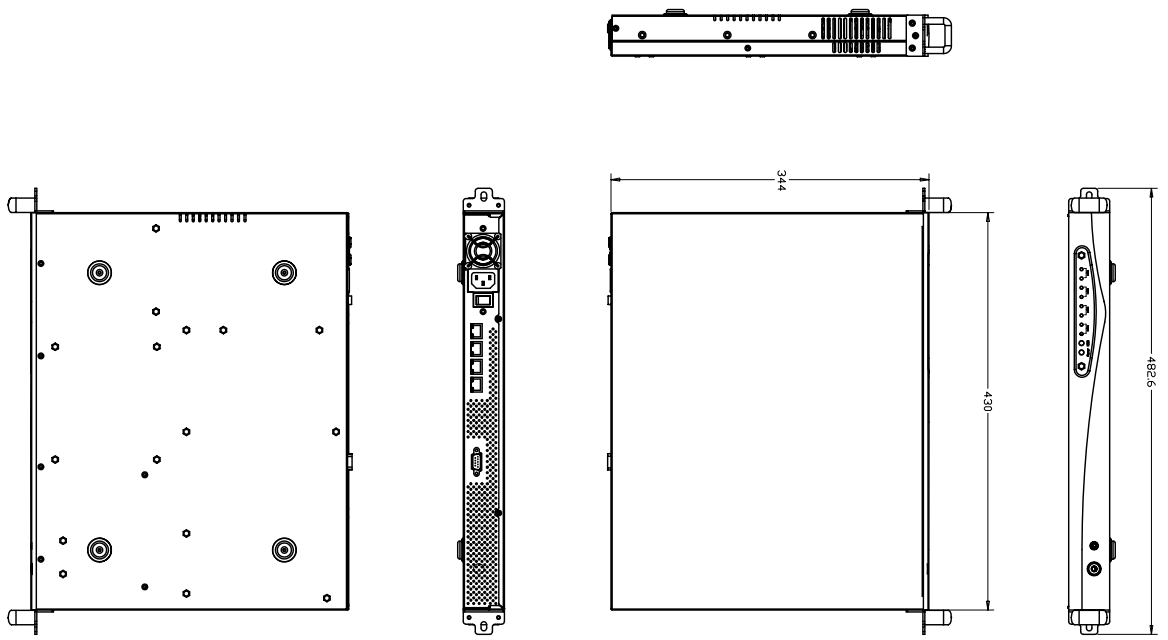


MARK	DESCRIPTION	SNMS	DATE



NOTE:
 1. ALL DIMENSIONS ARE IN MILLIMETERS.
 2. ALL DIMENSIONS ARE TO CENTER UNLESS OTHERWISE SPECIFIED.
 3. DIMENSIONS TO SURFACE UNLESS OTHERWISE SPECIFIED.
 4. DIMENSIONS TO CENTER UNLESS OTHERWISE SPECIFIED.

TITLE	DIR-K-MSV
DATE	07-96
REV	01
BY	
CHECKED	
DESIGNED	
PROJECT	
SCALE	
SHEET NO.	
TOTAL SHEETS	

