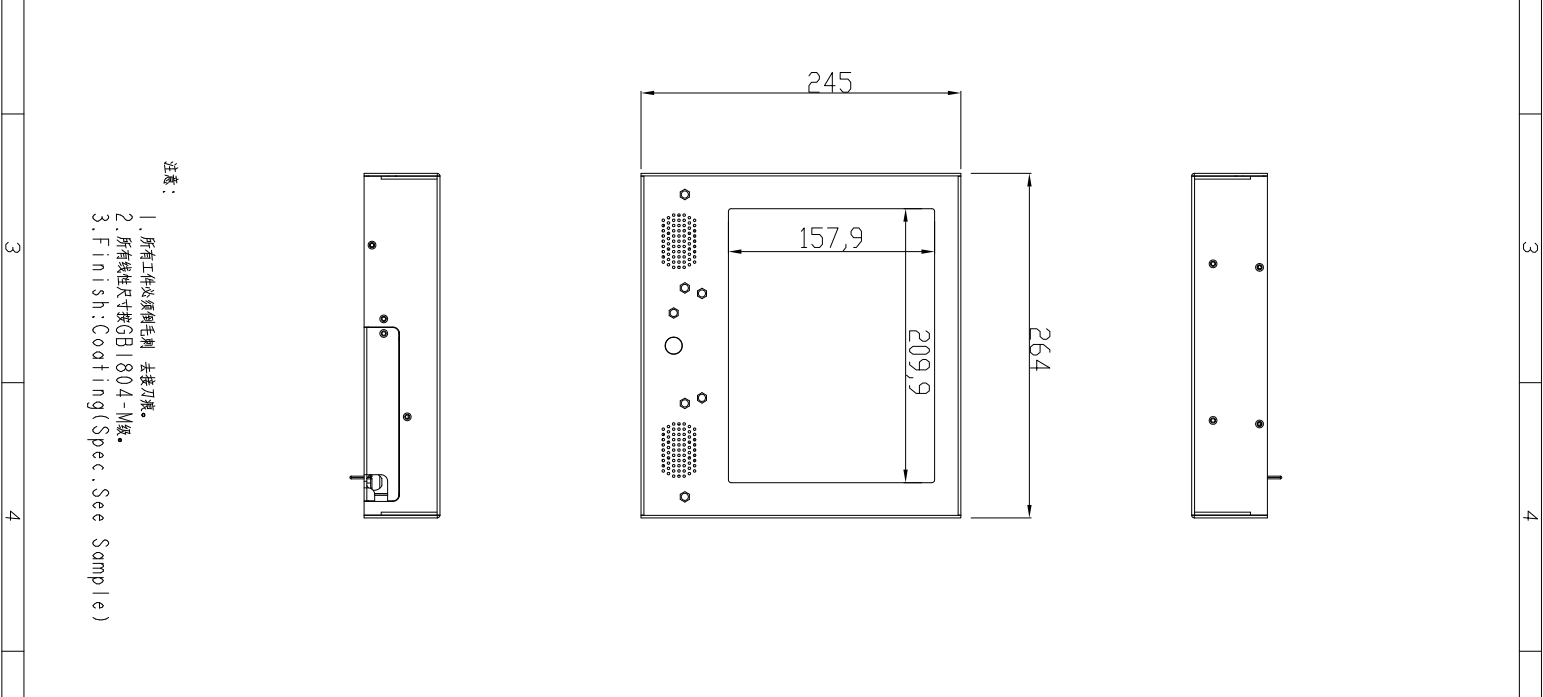


MARK	DESCRIPTION	SING	DATE
△			
△			
△			



注意：  
 1. 所有工件必须倒毛刺 去接刀痕。  
 2. 所有线性尺寸按GB 1804-M级。  
 3. Finish: Coating (Spec. See Sample)

TOL	< 30 30 < 120 120 < 315 315 <	: ±0.1 : ±0.15 : ±0.2 : ±0.3	UNIT : mm	FINISHING	SIZE	PART NO.	Ver.
ANGLE TOL	: ±0.5°		3RD ANGLE'S	MATERIAL	SECC/A4L	MOLD NO.	DPF-103
				APPROVED			Qty
				CHECKED			1
				DESIGNED			
				DRAWN			



TITLE	DPF-103-323V
DRAWING NO.	DPF-103-323V.DWG
DATE	19-Apr-08
SIZE	A3
SCALE	1:1
SHEET	1 OF 1