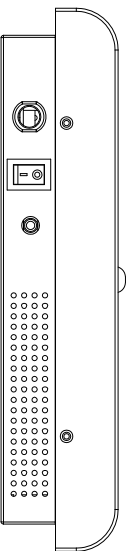
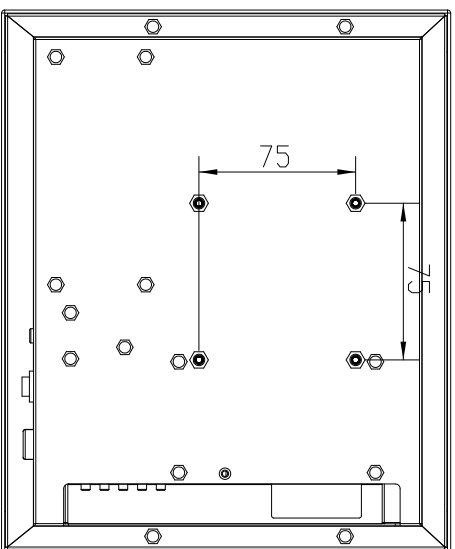
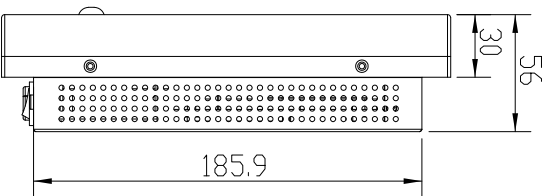
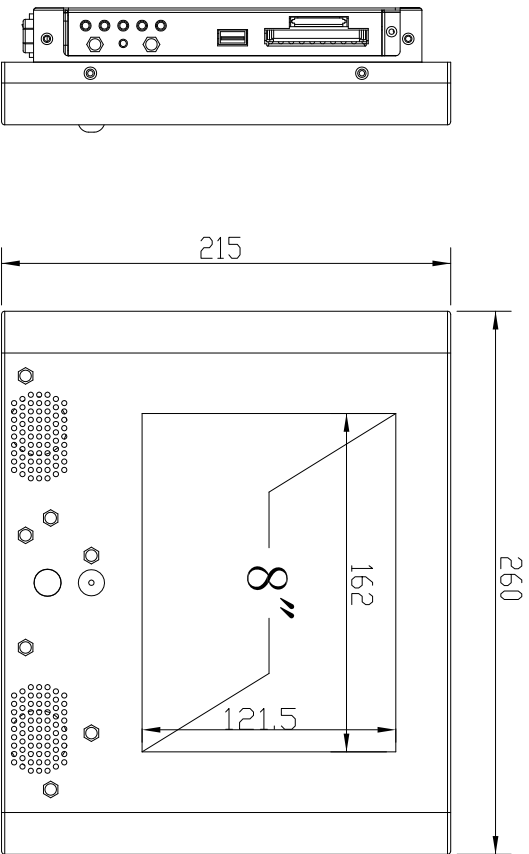


SCALE 0.3

SCALE 0.3



注意:

1. 所有工件必须倒角 去锐刀痕。
2. 所有线性尺寸按GB1804-M级。
3. Finish: Coating (Spec. See Sample)

MARK	DESCRIPTION	SING	DATE
△			
△			
△			

TOL	< 30 : ±0.1 < 120 : ±0.15 120 < 315 : ±0.2 315 < : ±0.3	ANGLE TOL : ±0.5°	UNIT : mm	FINISHING	SIZE	PART NO.	Ver.
			3RD ANGLE'S	MATERIAL	AL/SS/CC	DPF-082M	04y
			APPROVED	CHECKED		TITLE	DPF-082M-ASST
			DESIGNED	DRAWN	lock	13-FEB-09	DPF-082M-013Y.DWG
						SIZE	A3
						SCALE	0.4
						SHEET	1 OF 1

