

Card box Inserting Way

Introductions

DMP-202W is a digital media player that plays MPEG I/II/IV movies and MP3 audio and digital pictures without a computer. It integrated 4-in-1 multimedia-cardreader. The digital Video processor is also a high performance single-chip audio/video controller. The product conforms to VESA standards. By connecting DVD or PC on panel display, it's idea for Business, Education, Seminar, Presentation and Home Entertainment. It special modular design to separate LCD and card reader for easy maintenance and reduce your import duty.

Features

- Modular design to separate LCD and card reader for easy maintenance and reduce your import duty
- Single-chip digital audio and video decoder processor
- Support multiple file formats: JPEG, MPEG I/II/IV, AVI, MP3, DivX (ver 3.11, 4.0, 5.0 and higher)
- Support Card type: Compact Flash Type I / II . MS, MMC, SD Card
- Support OSD language: English, French, German, Italian , Swedish, Japanese, Portuguese, Spanish
- Video input Format: NTSC and PAL
- Support 4 segment timing OFF/ON Function
- Support current date setting function
- Support Designate folder and file type Player (you can select photos or video programs to favorite folder circle playing)
- Transit Remote control adjust Panel Brightness/Contrast/Color
- SLIDE SHOW (13 kinds EFFECT): with sequential and random
- SLIDE TIME (INTERVAL) mode: interval time with 1,3, 5,10 seconds and menu selection
- MUSIC SLIDE show: MP3 with JPEG pictures play on the same time
- JPEG Pictures: ZOOM IN/OUT
- File List : file directory management
- Includes Full functions Infrared remote Control
- LCD OSD support: Brightness, Contrast, H/V Position, Color, Phase, Clock Management
- Timer module (optional) , Daily automatically power ON/OFF
- Motion sensor (optional) to control audio ON/OFF
- DC in module (optional) , Adaptable for use in Car, Truck, Boat
- USB 2.0 update version (optional)
- *support usb memory sticker read function
- *able to copy files from USB storage device to CF card (with encryption)

Specifications

Screen Size	Screen Size	20.1"
	Display Type	WSXGA
	Screen resolution (Pixels)	1680*1050
	Brightness	300 nits
	Contrast Ratio	800: 1
	Pixel Size	0.258*0.258
	Maximun Color	16.7M
	Viewing angle (L/R ,U/D)	85/85,85/85
	Response Time	16 ms
	Power Consumption	40 Watts
Compatible Memory Card	Back light MTBF	50,000 hrs.
	Compact Flash Type I/II (CF)	Yes
	Secure Digital (SD) Card	Yes
	Memory Stick (MS)	Yes
	Multi Media Card (MMC)	Yes
Compatible File Format	USB Memory Sticker	Optional
	JPEG	Yes
	MP3	Yes
	Motion JPEG (avi.)	Yes
	MPEG-1	Yes
	MPEG-2	Yes
Connectivity	MPEG-4 (D1 resolution)	Yes
	USB	Optional
	VGA Input	Yes
	DVI Input	Yes
	Audio Output	Yes
	AV Input	Yes

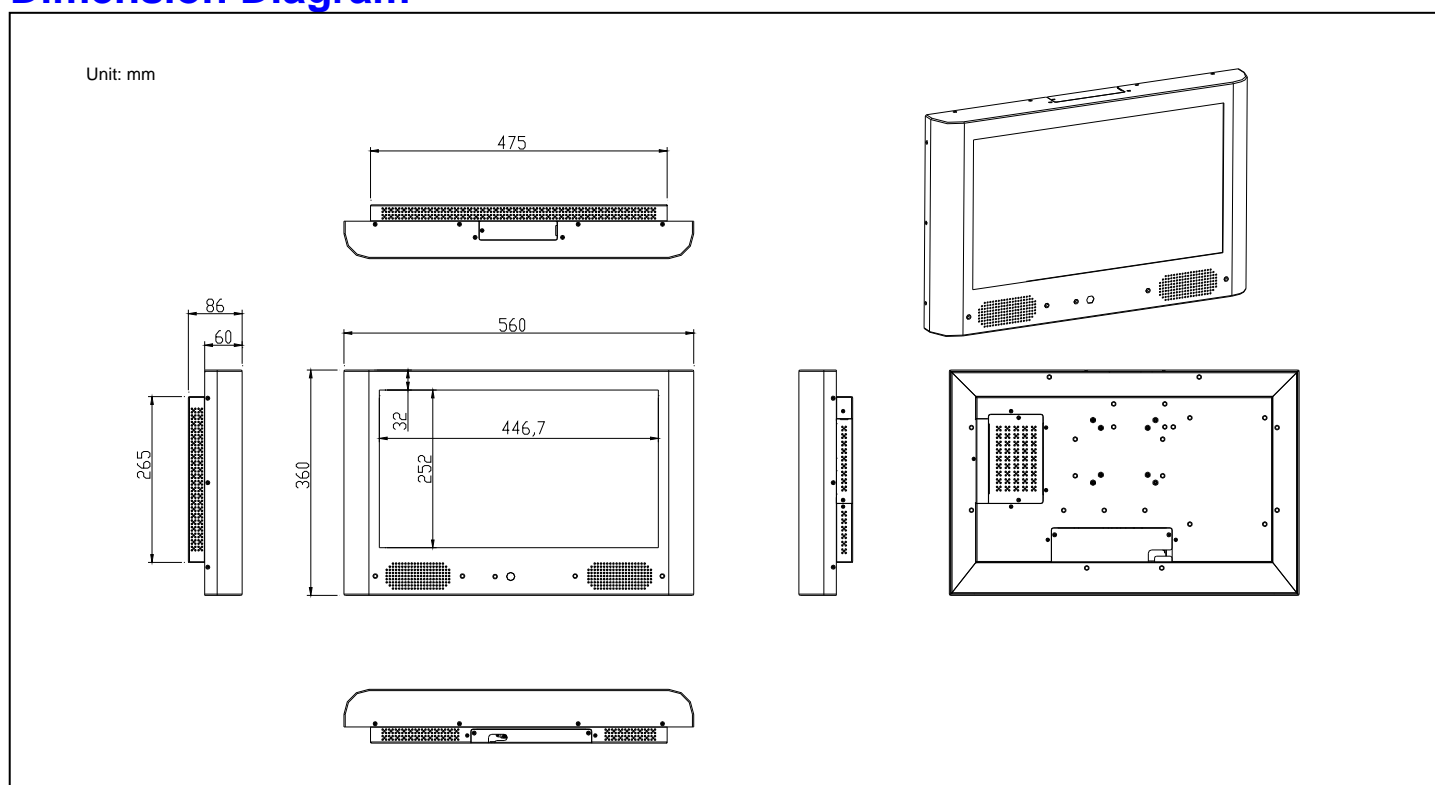
DMP-202W

Features	Built in Speaker	Yes (2x 8w stereo speaker)
	OSD Adjust switch Button	Yes
	Automatic Slide Show	Yes
	Music background	Yes
	Language Support	8
	Loop Zoom	Yes
	File Name/Size/Data Display	Yes
	Slide Show/Interval Setup	Yes
	Designate folder and file type Play	Yes
	Play/Pause/Stop/Volume/Mute	Yes
	File Copy Function	only USB update version support
	Memory card with Security Cover	Yes
	Power Supply	internal (12V/5A 60 Watts)
	Timer	Optional
	Motion Sensor	Optional
	DC in Power	7V-28V DC input
Accessories & Others	Remote Control	Yes
	VGA Cable	Yes
	DVI Cable	Yes
	Audio Cable	Yes
	AV Cable	Yes
	Power Cable	Yes
	Certificate	CE/FCC/ROHS
	Warranty	One Year
	Frame Material	Aluminum with Silver color painting
Dimension & Weight	Frame (W) x (H) x (D) mm	560*360*86 mm
	Net Weight (kg)	8.8Kg
	Gross Weight (kg)	11.6Kg
	Packing Dimension (W) x (H) x (D) mm	680*480*220mm

Ordering information

DMP-202W	20.1" Digital Media player LCD Module
DMP-CR	Card reader module
DMPU-CR	Card reader module support USB update function

Dimension Diagram



Annso Technology Co.,Ltd

Factory address: The south faces industry area of Xia Gan Fu Hai road, Chang'an Town, Dongguan City, Guangdong, China.

Tel: +86-769-81666360 81666395/96/97

Fax: +86-769-81666306

Web: www.annso.com www.annso.com.cn www.medianice.com Email: Sales@annso.com.cn

